

181-1



0001

A *C. e. 24.*

**TREATISE**  
*Lewdale* <sup>*Miscellany.*</sup> *Middleton 1753*  
 O N  
**DIAMONDS and PEARLS.**

IN WHICH

Their IMPORTANCE is considered :

A N D

Plain RULES are exhibited for ascertaining the  
 Value of both :

A N D T H E

True Method of manufacturing DIAMONDS.

---

By *DAVID JEFFRIES,*  
 JEWELLER.

---

The SECOND EDITION, with large IMPROVEMENTS.

---

L O N D O N :

Printed by C. and J. ACKERS, in *St. John's-Street,*

For the AUTHOR. 1751.

(Price One Guinea Bound.)

*[Faint, mostly illegible handwritten text, possibly bleed-through from the reverse side of the page.]*



TO THE  
**K I N G.**

*S I R,*



*I* Beg leave, with the  
 profoundest humility,  
 to dedicate the fol-  
 lowing treatise to your  
*Majesty,* the patron of truth  
 A 2 and

D E D I C A T I O N .

and justice, and friend to the common interest of mankind, more particularly to that of your *Majesty's* subjects : In which your royal character shines with the brightest lustre.

It contains rational and plain rules for estimating the value of Diamonds and Pearls under all circumstances, and for manufacturing Diamonds to the greatest perfection : Both which have hitherto been but very imperfectly understood. From hence, all property of this kind has been exposed to the greatest injury,

D E D I C A T I O N .

injury, by being subject to a capricious and indeterminate valuation ; and the superlative beauty of Diamonds has been much debased.

To countenance a work calculated to promote a general benefit, it is humbly apprehended, will not be deemed unworthy the condescension of a *Crowned Head*, as these Jewels constitute so large a part of publick wealth ; and, as they are, and have been in past ages, the chief ornaments of great and distinguished personages, in most parts of the world.

DEDICATION.

That the supreme Disposer of all things may long preserve your *Majesty*, the guardian of the commerce and properties of these your kingdoms, and that you may continue to reign in the hearts of a grateful and loyal people, is the fervent prayer of,

*May it please your Majesty,*

*Your Majesty's most dutiful,*

*And most faithful Subject,*

David Jeffries.



TO THE

READER.



*S the following Treatise is calculated to inform the world concerning the value of Diamonds and Pearls; the weights made use of relative thereto, are here previously explained, as the knowledge of them will be found necessary to the Publick. They agree the nearest to Troy-weight of any other, and are commonly called carat weights; 150 carats make about an ounce of that weight.*

A 4

Ca-



## ii To the READER.

*Carats are divided into halves, quarters, or grains; eighths, sixteenths, and thirty-two parts.*

*The draughts of the sizes of Brilliant and Rose Diamonds, exhibited in the plates, are tests to prove the truth and defects of the manufacture of any Diamond, and will be found as necessary as scales and weights, in attaining to a right judgment of their value. To make the truth of this assertion appear more evident, it is here to be observed; First, That either a Brilliant or Rose Diamond may be wrought in such a manner as to contain one-fourth, or even one-third, more weight than it ought to have, which necessarily injures the beauty of its form, and likewise injures its true spirit and lustre; and,*  
if

## To the READER. iii

*if that over-weight be injudiciously valued, together with its due weight, the price will be thereby greatly heightened above its just value, more especially in large Diamonds. All which over-weighted Stones will easily be discovered by the sizes exhibited in the plates, which exactly shew the true expansion of well wrought Diamonds.*

*Secondly, It is to be observed, that the sizes before referred to will discover if any Stones do not carry their true substance. An important circumstance to be regarded, inasmuch as any degree of want thereof, necessarily lessens the spirit and lustre they would otherwise be possessed of. In both cases, directions are given in the treatise, in what manner every such Stone is*  
to

iv To the READER.

*to be valued, as well as all other well proportioned ones, according to their water, and several degrees of perfection, or imperfection, of what size or weight soever.*

---

POSTSCRIPT.

**T**HE price of this book, I hope, will not be thought too large, when the following matters are taken into consideration.

First, That of its being calculated to settle the value of Diamonds and Pearls, on a rational and firm basis; a circumstance of no small concern, inasmuch as their worth has hitherto been rated by fancy and caprice, which has frequently

To the READER. v

*frequently proved very injurious even to traders in them, as well as to others who have bought them for their use.*

Next, As the subject concerns only persons of rank and fortune, and those of the trade for whose use the book is principally designed, the sale of it is not like to be very large. To this may be added, that what it contains is the product of many years study, and difficult labour of various kinds, attended with an expence much beyond what can readily be imagined.

And here I shall take leave to observe, that inasmuch as the Tables of the prices of Diamonds and Pearls answer the same purposes in attaining to the knowledge of the value of these Jewels, as  
scales

## vi To the READER.

*scales and weights, they may be considered in the same light; and that the Diamond sizes may be depended on for their truth, they are all engraved by myself, not daring to trust that performance to any one else; which is likewise the case in respect to some other things, that I shall not here particularize; all which have ingrossed my thoughts and time to the neglect of my private concerns; by that means I have greatly injured a fortune (not got by trade) that put me above entering on this work with any mean lucrative views; and least of all that of publishing for the sake of the profit that might arise therefrom. On the contrary, my former circumstances enabled, and my inclinations led me to engage in this attempt, in order to serve the publick,*

## To the READER. vii

*lick, and the Jewel trade. And to my great satisfaction, I find the principles of the book begin already to operate; from whence it may be presumed they will more and more, and that the world will experience their utility. That this was my original motive is a fact well known to some; and that I formerly intended to have published the matters contained in this treatise, without having any regard to the profit arising thereby. These circumstances, doubtless, will have their due weight in accounting for the price of the book.*

*And now I think it my duty to mention, that whatever knowledge I may have acquired by applying my thoughts and time this way, I shall endeavour faithfully*

viii To the READER.

fully to employ in any business that I may be honoured with in the Jewelling trade. This I have not spoke of in my former Edition, nor should I now, if I were not countenanced in so doing by some persons of rank, and many of my particular friends, both which have of late favoured me that way: And this leads me to hope for an increase thereof, which I flatter myself will not be found disadvantageous to any that may engage me in their service. In saying this I am not apprehensive of having said too much.



A



A  
L I S T  
OF THE  
S U B S C R I B E R S.



IS Royal Highness the Prince of *Wales*.  
Her Royal Highness the Princess of *Wales*.  
His Royal Highness the Duke.

A

## A LIST of the SUBSCRIBERS.

## A.

**W**ILLIAM Aislabe, *Esq;* Member of Parliament for Rippon.

John Andree, *M. D.* London Hospital.

William Windham Ashe, *Esq;* Member of Parliament for Aldborough, and Comptroller of the Household to his Royal Highness the Duke.

Benjamin Avery, *L. L. D.* Treasurer of Guy's Hospital.

Mrs. Archer of Hanover-Square.

The Rev. Francis Ascough, *D. D.* Clerk of the Closet to his Royal Highness the Prince of Wales.

## B.

The Rt. Hon. the Earl of Blessington.

The Rt. Hon. the Lord Baltimore, 4 books.

The Rt. Hon. the Lady Vere Beauclerc.

Fotherley Baker, *Esq;*

Samuel Baker, *Esq;*

Robert Balch, *Esq;*

Sir John Barnard, *Knt.* and Alderman, Member of Parliament for the City of London.

William Barrowby, *M. D.*

Sir Justus Denis Beck, *Bart.*

Stephen Beckingham, *Esq;*

Mr. John Belchier, *F. R. S.*

Wil-

## A LIST of the SUBSCRIBERS.

William Belchier, *Esq;* Member of Parliament for Southwark.

George Bellas, *Gent.*

Governor Benyon.

Slingsby Bethell, *Esq;* and Alderman, Member of Parliament for the City of London.

Peter Bigot, *Esq;*

The Rev. Thomas Birch, *M. A. F. R. S.*

William Birdfield, *Esq;*

John Blachford, *Esq;* and Alderman of London.

Henry Blakey, *M. L.*

Sir John Bosworth, *Knt.* Chamberlain of the City of London.

Charles Bradshaigh, *Esq;* Equerry and Gentleman-Usher to their Royal Highnesses, the Princesses Amelia and Caroline.

Eden Briggs, *Gent.*

Mr. Stafford Briscoe, *Jeweller.*

Mr. Elias Brownfword, *Merchant.*

Mr. Ynyr Burges.

## C.

The Rt. Hon. the Earl of Cardigan.

The Rt. Hon. Charles, Lord Cornwallis, Constable of the Tower, and Lord Lieutenant and Custos Rotulorum of the Tower-Hamlets.

Sir William Calvert, *Knt.* and Alderman, Member of Parliament for the City of London.

a

Mr.

A LIST of the SUBSCRIBERS.

Mr. John Caffell.  
 Mr. Eliezer Chater.  
 Charles Child, of Farnham, Esq;  
 Richard Chifwell, jun. Esq;  
 Humphry Cotes, Esq;  
 Mr. John Cole.  
 Mr. James Collings.  
 Mr. Joseph Coltman.  
 Miss Coltman.  
 Richard Coope, Esq;  
 Daniel Cox, M. D.  
 Joseph Creswick, Esq;  
 Mr. Thomas Crisp, Jeweller and Diamond-Cutter.  
 Mr. Nicholas Crisp, Jeweller.  
 Mr. Edward Cullis.  
 Sir Nathaniel Curzon, Bart. Knight of the Shire for the County of Derby.  
 Nathaniel Curzon, Esq; Member of Parliament for Clitheroe.

D.

The Rt. Hon. the Lord Viscount Duncannon.  
 The Rt. Hon. the Lord Viscount Dunkeron.  
 John Damer, Esq;  
 Mr. Michael Dean.  
 Sir John Delange, Knt. F. R. S.  
 Peter Deschamps, Esq;

Mr.

A LIST of the SUBSCRIBERS.

Mr. Andrew Devisme, Merchant.  
 George Dodson, Esq;  
 Matthew Dove, Esq;  
 William Henry Draper, Esq;  
 The Hon. Mrs. Dunch.  
 Mr. John Duval, Jeweller, 2 books.

E.

The Rt. Hon. the Earl of Egremont.  
 Mr. Eleazar Edwards, Merchant.

F.

The Rt. Hon. the Lord Viscount Falmouth.  
 The Rt. Hon. the Lady Viscountess Falmouth.  
 The Rt. Hon. the Lord Viscount Fauconberg.  
 The Hon. Robert Fairfax, Esq; Member of Parliament for Maidstone.  
 Robert Featherstonehaugh, Esq;  
 Mr. Robert Fernal, Merchant.  
 Mr. Edmond Field, Merchant.  
 The Rev. James Foster, D. D.  
 James Frazer, Esq;  
 Mr. William Fuller, Master of the Academy in Lothbury.

G.

Mr. Charles Gardiner, P. M. Gres. Col.  
 Col. George Garret.  
 Mr. John Goddard, Merchant.

Mr.



A LIST of SUBSCRIBERS.

Mr. James Godin, Merchant.  
John Godfrey, Esq;  
The Rev. Strickland Gough, M. A.

H.

Sir Joseph Hankey, Knt. and Alderman of the  
City of London.  
Mr. William Hart, Goldsmith.  
The late John James Heideigger, Esq;  
Col. Daniel Herring.  
Mr. Joseph Highmore.  
Mr. Anthony Highmore.  
John Hill, M. D.  
Benjamin Hoadley, M. D. Physician to His  
Majesty's Household.  
Mr. John Holmes, Merchant.

J.

Stephen Theodore Janssen, Esq; and Alderman,  
Sheriff of London and Middlesex, and Mem-  
ber of Parliament for the City of London.  
Robert Jefferies, Esq;  
Capt. Thomas Jeffreys.  
Mr. Eben-Jeffries, of Taunton.  
Mr. John Jeffries.  
Mr. Edward Jeffries.  
Mr. Thomas Jennings.  
Mr. Jermy.

John

A LIST of the SUBSCRIBERS.

John Jaffe, Esq; Accomptant-General of the  
Post-Office, London.  
Sir William Irby, Bart. Member of Parlia-  
ment for Bodmyn, and Vice-Chamberlain to  
Her Royal Highness the Princess of Wales.  
Mr. Samuel Ireland.  
Edward Ironside, Esq; and Alderman of the  
City of London.

K.

James Kirkpatrick, Gent.  
Christopher Kilby, Esq;

L.

His Grace the Duke of Leeds.  
The Rt. Hon. the Earl of Lauderdale.  
Robert Lambe, Esq;  
Mr. James Lamborn.  
Mr. Charles Laroche.  
Mr. Thomas Leach, Jeweller.  
Stephen Martin-Leake, Esq; Clarencieux King  
of Arms.  
Joseph Leatherland, M D. one of the Physi-  
cians of St. Thomas's-Hospital, 2 books.  
Robert Lee, Esq;  
The Rev. Mr. Abraham Lemoine.  
Mr. William Loxham.  
Mr. Charles Lowth.

a 3

M.

## A LIST of the SUBSCRIBERS.

## M.

*His Grace the Duke of Manchester.*  
*His late Grace the Duke of Mountague, 2 books.*  
 Mr. Samuel Maddox.  
 Boulton Mainwaring, *Esq;*  
 Richard Mead, *M. D. Med. Reg. F. R. S.*  
 Mr. Benjamin Mendez da Costa, *Merchant.*  
 Mr. Emanuel Mendez da Costa, *F. R. S.*  
 Mr. Joseph Mico, *Merchant.*  
 John Mills, *Esq;*  
 Thomas Minors, *Esq;*  
 The Hon. John Mordaunt, *Esq;* *Member of Parliament for Winchelsea.*  
 Cromwell Mortimer, *M. D. F. R. S.*  
 Mr. Daniel Roeloff Muilman.  
 Peter Muilman, *Esq;*  
 Nathaniel Munckley, *M. D. F. R. S. one of the Physicians to Guy's-Hospital.*  
 Mr. James Mynde.

## N.

*The Rt. Hon. the Earl of Northumberland.*  
*The Hon. Col. Napier.*  
 Mr. Matthew Nash.  
 Mr. Solomon Nathan, *Jeweller.*  
 Mr. John Newton.

O.

## A LIST of the SUBSCRIBERS.

## O.

Henry Osborne, *Esq;*  
*The late Robert Osborne, Esq;*  
 John Oxenford, *Esq;*

## P.

Thomas Page, *Esq;*  
 Peregrine Palmer, *Esq;* *Member of Parliament for the University of Oxford.*  
 William Palmer, *Gent.*  
 Mrs. Martha Parker, *of Leicester-Square.*  
 Henry Pemberton, *M. D. P. Gres. F. R. S.*  
 The Rt. Hon. Sir Samuel Pennant, *Knt. Lord Mayor of the City of London.*  
 Mr. Thomas Pestell, *Jeweller.*  
 The Hon. Thomas Pitt, *Esq;* *Member of Parliament for Oakhampton, Lord Warden and Steward of the Duchy of Cornwall.*  
 The Rev. Mr. Michael Pope.  
 James Postlethwayt, *Esq;*  
 Sir William Beauchamp Proctor, *Bart. Knight of the Shire for the County of Middlesex.*  
 Thomas Prowse, *Esq;* *Knight of the Shire for the County of Somerset.*

## Q.

*His Grace the Duke of Queensberry.*

a 4

R.

## A LIST of the SUBSCRIBERS.

## R.

*His Grace the Duke of Richmond, 2 books.*  
 Mr. Robert Rampshire.  
 Thomas Rawlinson, *Esq;* and Alderman of the  
 City of London.  
 Christopher Rawlinson, *Esq;*  
 Sir William Richardson, *Knt.*  
 Peter Roberts, *Esq;*  
 Peter Ruffel, *Gent.*

## S.

Peter Sainthill, *Esq;* F. R. S.  
 John Savage, *Gent.*  
 Meyer Schomberg, M. D. F. R. S.  
 Richard Shadwell, *Esq;*  
 The Rev. Gregory Sharpe, L. L. D. Chaplain  
 to his Royal Highness the Prince of Wales.  
 Mrs. Shiffner.  
 Sir Hans Sloane, *Bart.* Med. Reg. F. R. S.  
 Joshua Smith, *Esq;*  
 Talbot Smith, M. D.  
 Thomas Smith, *Esq;*  
 Mr. James Snelling.  
 Mr. Henry Stacey, *Jeweller.*  
 Governor Stephenfon.  
 Mrs. Stinton.

T.

## A LIST of the SUBSCRIBERS.

## T.

*The Rt. Hon. the Lord Viscount Townshend.*  
*The Rt. Hon. the Lord Tyrawley.*  
 George Thornborough, *Esq;*  
 Mr. Stephen Thouneyfer.  
 Benjamin Trueman, *Esq;*  
 Mr. Thomas Trueman, *Merchant.*  
 James Trymmer, *Esq;*  
 Robert Turner, *Esq;*  
 Sir Charles Kemys Tynte, *Bart. Knight of the*  
*Shire for the County of Somerset.*

## V.

Florentius Vaffal, *Esq;*  
 Mess. John and James Vanhuffeten, *Diamond-*  
*Cutters.*  
 Mr. William Vanham, *Diamond-Cutter.*

## W.

*The Rt. Hon. the Lord Willoughby of Parham.*  
 ——— Walker, *Esq;*  
 Mr. John Walsh, *Merchant.*  
 John Ward, *Rb. P. Gres. Col. F. R. S.*  
 Richard Warner, *Esq;*  
 Robert Webb, *Esq;* Member of Parliament for  
 Taunton.

Sir

A LIST of the SUBSCRIBERS.

Sir Thomas Webster, *Bart.*  
 Mr. Nicholas Lewis Well, *Merchant.*  
 Abraham Wells, *Esq;*  
 James West, *Esq;* *F. R. S. Member of Parlia-  
 ment for St. Albans, and joint Secretary of the  
 Treasury.*  
 The Rev. Mr. Caspar Wetstein.  
 William White, *Gent.*  
 Mr. Thomas Williams.  
 Col. Henry Willoughby.  
 Mr. Henry Wilson.  
 Mr. John Wood.  
 Mr. Richard Wootton.



An



An Explanation of some TECHNICAL  
 TERMS made use of in this Treatise,  
 in alphabetical order.

THE *Bezils* are the upper sides and corners of the *Brilliant*, lying between the edge of the table and the girdle.

The *Collet* is the small horizontal plane, or face, at the bottom of the *Brilliant*.

The *Crown* is the upper work of the rose, which all centers in the point at the top, and is bounded by the horizontal ribs.

The *Facets* are small triangular faces, or planes, both in *Brilliant*s and *Roses*. In *Brilliant*s there are two sorts, *skew* or *skill* facets, and *star* facets. *Skill*-facets are divided into *upper* and *under*. Upper *skill*-facets are wrought on the lower part of the *Bezil*, and terminate in the girdle; under *skill*-facets are wrought on the pavilions, and terminate in the girdle; *star*-facets are wrought on the upper part of the *bezil*, and terminate in the table.

The

An EXPLANATION, &c.

The *Girdle* is the line which encompasses the Stone, parallel to the horizon; or, which determines the greatest horizontal expansion of the Stones.

*Lozenges* are common to *Brilliant*s and *Roses*. In *Brilliant*s they are formed by the meeting of the skill and star facets on the bezel: In *Roses*, by the meeting of the facets in the horizontal ribs of the crown.

*Pavilions* are the under sides and corners of the *Brilliant*s, and lie between the girdle and the collet.

The *Ribs* are the lines, or ridges, which distinguish the several parts of the work, both of *Brilliant*s, and *Roses*.

The *Table* is the large horizontal plane, or face, at the top of the *Brilliant*.



C O N-



C O N T E N T S.

<i>INTRODUCTION</i>	Page 1
<i>Of the production of Diamonds, and the principle of valuing them</i>	4
<i>Of Brilliant Diamonds, and the method of manufacturing them</i>	9
<i>Of the sizes or expansion of Brilliant</i> s	18
<i>Of the use of the Brilliant sizes in discovering ill wrought ones</i>	21
<i>Of the method of manufacturing, and valuing spread Brilliant</i> s	26
<i>Of Rose Diamonds</i>	30
<i>Of the impropriety of transforming well wrought Rose Diamonds into Brilliant</i> s	32
<i>Of the form of a Rose Diamond</i>	34
<i>Of the manufacture of a Rose Diamond</i>	36
<i>Of the sizes of Rose Diamonds, and their use in discovering ill made ones</i>	39
<i>Of the method of manufacturing, and valuing spread Rose Diamonds</i>	41
<i>Of</i>	

## CONTENTS.

<i>Of the first method of valuing wrought Diamonds, in conjunction with rough Diamonds, out of which they are supposed to be wrought</i>	Page 44
<i>Of the second method of valuing wrought Diamonds, in conjunction with the rough Diamonds, out of which they are supposed to be wrought.</i>	52
<i>Of the method of valuing wrought Diamonds, exclusive of any regard to rough Diamonds.</i>	56
<i>Of the highest and lowest prices of rough and polished Diamonds</i>	60
<i>Remarks on Brazil Diamonds</i>	65
<i>Of the table of the prices of Diamonds</i>	87
<i>Of the innate perfection, imperfection and water of Diamonds</i>	94
<i>Of the superior worth of Diamonds over all other Jewels</i>	96
<i>Reasons for working Diamonds in a compleat manner, and the consequences resulting from a contrary practice</i>	99
<i>Of the use of the sizes in purchasing rough Diamonds.</i>	112
<i>Remarks on the India manufacture of Diamonds, and their custom in regard to rough Diamonds</i>	115
<i>Some</i>	

## CONTENTS.

<i>Some account of authors, who have heretofore treated of Diamonds, and Pearls, and the improvements which have been made since their times</i>	Page 122
<i>Of Pearls, their perfection, and imperfection</i>	126
<i>Of the rule of valuing Pearls</i>	128
<i>Observations on losses supposed to be sustained by the purchase of Jewels</i>	142
<i>Conclusion.</i>	150



INTRO.





## INTRODUCTION.

**D**IAMONDS, and Pearls being, of all Jewels, of the greatest importance to this, and most nations of the world, justly demand the highest regard of any ; inasmuch as they constitute the largest share of wealth of this kind, and are the chief ornaments of great and distinguished personages: More especially Diamonds, as being the most beautiful and valuable of all. On which account, as I have been above  
B thirty

[ 2 ]

thirty years a considerable trader in them, and a manufacturer of Diamonds, I have studiously employed great part of my time in search of rules to ascertain the value of both under all circumstances, whatever be their weight and magnitude; and likewise, for manufacturing Diamonds to the greatest perfection. And apprehending that I have fully succeeded; for the promotion of the commerce, and for the benefit of the publick, I have exhibited, in this treatise, means by which the inquisitive may attain to a right knowledge in these matters; and more especially concerning those from one carat weight, to those of one hundred carats.

The plates of the sizes of Diamonds, and the tables of the prizes of both, are extended no farther than to Diamonds and Pearls, of that weight:

They

[ 3 ]

They might be carried on *ad infinitum*; and the rule of valuing will hold good, tho' they should weigh as much as Governor *Pitt's* Diamond, purchased by the Duke of *Orleans* for the present *French* King, which weighs 136 carats  $\frac{3}{4}$ , or as three others mentioned by Monsieur *Tavernier*, in the second part of his voyages, p. 148, *English* translation, viz. that of the Great Duke of *Tuscany*, which weighs 139 carats  $\frac{1}{2}$ , or that in a merchant's hands, which weights 242 carats  $\frac{1}{2}$ , or that of the Great Mogul, which weighs 279 carats  $\frac{2}{3}$ .

If what is contained in this treatise be found true, it will confute the notion, that some Diamonds and Pearls are inestimable, on account of their extraordinary magnitude; which, to this time, prevails, upon the supposition that no methods can be found to

B 2

deter-

[ 4 ]

determine their value ; and will likewise greatly contribute to support the dignity of the diamond manufacture.

---

*Of the Production of DIAMONDS,  
and the Principle of valuing them.*

**T**HAT rules may be given for the just valuing of Diamonds according to their increase in *size* and *weight*, is reasonable to suppose, from this consideration ; that nature has produced in times past, as well as it does at present, Diamonds in the following manner ; *viz.* a vast number of small ones, and progressively a less number of larger ; and that they promiscuously inherit the same properties, and share alike of perfection, and imperfection. This therefore is a sufficient

[ 5 ]

ficient foundation for rules to be given for valuing them in proportion to their size and weight, which will be found hereafter exhibited ; and if the use and application of them were conformable to the production of nature, the rules thus founded, and prescribed, would never be interrupted : And therefore, if the humour of the world demands, at any time, more or less of any particular sizes and weights than nature provides, the price obtruded thereby must be reckoned the *occasional*, and not the *just* price, and complied with as such ; which happens to be the case at present, by the extraordinary use of small Diamonds in the decorations now fashionable in jewelling. And as the price of these small Diamonds will always fluctuate by the alterations of fashions, little regard

B 3

will

[ 6 ]

will be had in this treatise to any, under the weight of one carat.

It may be also observed, that the value of *rough Diamonds* from two, to three carats, and also of *polished Diamonds* from one, to one and a half, do not correspond with the rules hereafter laid down; the price at present being lower than what is asserted by the rules; which is acknowledged, and will remain so, as long as the humour prevails of supplying the place of Diamonds of that weight, by meanly setting small Stones in a cluster in their room, for the sake of a showy and flashy appearance, at a less price than Stones of these sizes would admit of; by which means these sizes are less used than formerly, and become cheaper (the production of nature being always the same) and from hence they are depreciated in their value;

( 7 )

lue; so that the present prices of these sizes must also be reckoned the *occasional*, and not the *just* price.

The rules are, nevertheless, just, uniform, and consonant to nature; and therefore are here proper to be offered, in order to assist in coming at the true knowledge of the value of Diamonds of a higher worth, than such as are liable to be affected in their price by the alteration of *fashions* in jewellery.

The *principle*, or *rule* is, that the proportional increase, or value of Diamonds, is, as *the square* of their *weight*, whether rough or manufactured. For the explanation whereof, an instance is first given in rough Diamonds; on which account it will be necessary to lay down a general price, which is supposed to be *2 l. per carat*; meaning, the whole species,

B 4 good

[ 8 ]

good and bad blended together, which are worthy the expence of manufactory. For example, suppose the value of a rough Diamond of two carats, at the rate of 2*l.* per carat, should be required; the rule is, first, to multiply 2 by 2, which makes 4, the square of its weight; then, multiply the product of 4 by 2*l.*, the price of one carat, that makes 8*l.* which is the true value of a rough Diamond of 2 carats.

To make this rule applicable to *manufactured* Diamonds it will be necessary to ascertain what *waste*, or *loss of weight*, will be sustained in manufacturing them. And here it may be advanced as a matter of fact, that *half* the weight will be lost; consequently, doubling the weight of any manufactured Diamond, renders the rule of the same use to shew their

[ 9 ]

their value. This loss is to be understood to relate to the general manufactory of Brilliant, and Rose Diamonds in the most perfect manner. To that end, rules are to be offered for a general practice in both kinds of manufactory; which, if conformed to, will be found to exhibit Diamonds in such a manner, as to be productive of greater perfection, and saving of weight, than any other standards of practice.

---

*Of* BRILLIANT DIAMONDS, *and*  
*the Method of manufacturing*  
*them.*

BRILLIANTS are first to be considered. And the manufactory of a *square* one, is fixed on for the

the fundamental, and governing rule of practice; nature for the most part directing thereto, as it produces abundantly more apparent *six pointed* Stones, than Stones of any other form; and because the same depth, or substance, and the same manner of proportioning that substance, which are essential in rendering a square Brilliant compleat, are necessary in rendering a Brilliant of any other shape compleat; and more substance, or any other manner of, proportioning, will be found upon experience prejudicial to the beauty of their form, and the true dignity of their spirit and lustre; compared with such as are made conformable to the following rules.

The form of a *six pointed rough* Diamond is previously to be described; as the shape of it is not much known.

It

It is a figure composed of two square pyramids, joined at their bases, and which form an out-line of a true square. The whole figure is composed of eight triangular faces, or planes; four above the base, and four below it; all meeting in two points, one at top, the other at bottom; terminating in the poles of the axis, or line passing through the centre of the Stone from top to bottom. Some Stones are found to answer this figure very nearly. To make a compleat square Brilliant from such a Stone, if it be not exactly true by nature, it must be made so by art.

The first thing therefore to be done, is to reduce that part, representing the base of the two pyramids, to an exact square, which forms what is called *the girdle* of the Stone; and then, work by the square from the girdle, which

5

will



[ 12 ]

will produce the two points of the axis; and, if it be truly executed, the length of the axis from point to point, will be equal to the breadth of the square from side to side. A draught of a side view of such a Stone will be found in the first plate, N<sup>o</sup>. 1.

The next thing to be done, is to produce *the Table and Collet*. In order to which, divide the block into eighteen parts from top to bottom; and then take away from the upper part  $\frac{5}{18}$ , and from the lower part  $\frac{1}{18}$ . This gives the upper part, or table side,  $\frac{4}{18}$  above the girdle, which is  $\frac{1}{3}$  of the remaining substance; and the lower, or collet side,  $\frac{8}{18}$  or  $\frac{2}{3}$ ; only 12 of the original 18 parts being left in depth. And thus the table and collet are formed; which will be found to bear this proportion to each other, *viz.* the collet will be one fifth of the  
breadth

[ 13 ]

breadth of the table. In this state it is *a compleat square table Diamond*.

Its different parts are denoted by the letters *a, b, c, d, e*.----*a*, shews what is usually called *the table* of the Stone, which is an horizontal plane at the top; *b*, the upper sides or *bifils*; *c*, *the girdle*, which shews its expansion; *d*, the under sides or *pavilions*; *e*, *the collet*, which is a small horizontal plane at the bottom. The prick'd lines above the table, and those below the collet, shew what has been taken away. A side view of one will be found in plate I. N<sup>o</sup>. 2.

*Note*, This species of manufactory has been exhibited time out of mind; and the Brilliant, which is an improvement upon it, has been introduced within the last century; as will appear to those who shall give themselves the trouble of an enquiry. But this not being essential to the present undertaking,

[ 14 ]

taking, (which will be pursued with the utmost brevity) an historical account of these matters is omitted.

This is the foundation of a *square Brilliant*; and, in order to render it a *perfect Brilliant*, each *corner* must be shortened  $\frac{1}{20}$ th part of its diagonal; and then the *corner ribs* of the upper sides must be flattened, or run towards the centre of the table  $\frac{1}{6}$  less than the sides; and the lower part, which terminates in the girdle, must be  $\frac{1}{8}$  of one side of the girdle; and each corner rib of the under sides, must be flattened at the top, to answer the above flattening at the girdle; and at the bottom  $\frac{1}{4}$  of each side of the collet. A side view of one will be found in plate I. N<sup>o</sup>. 3.

The parts of the small work which compleats it a Brilliant, are called *star* and *skill fassets*, and are of a triangular

[ 15 ]

gular shape. Those which join to the table are *the star* fassets, those which join to the girdle *the skill* fassets. Both of these partake equally of the depth of the upper sides from the table to the girdle, and meet in the middle of each side of the table and girdle, as also at the corners; and thus they produce regular *Lozenges* on the four upper sides and corners of the stone. The *triangular* fassets on the under sides joining to the girdle, must be half as deep again as the above fassets, to answer to the collet part; that is to say, in the proportion of three to two. A draught of a Brilliant rendered compleat, will be found in plate I. N<sup>o</sup>. 4.

Under the before - mentioned draughts, are represented four compleat Brilliants in an horizontal view, by double draughts, weighing 36 carats

[ 16 ]

rats each. N<sup>o</sup>. 5. is a square, N<sup>o</sup>. 6. a round, N<sup>o</sup>. 7. an oval, N<sup>o</sup>. 8. a drop. The left-hand draughts regard their upper parts, and those on the right their under parts, which are supposed to be divided at their girdles. They are thus separately represented, the better to show their whole work, and in what manner it should lie ; and likewise their size, or expansion, and the size of their tables and collets.

Note, Their perpendicular depths from table to collet, are shewn by the length of the bars placed under each double draught. The octagon in the middle of the left-hand draught of N<sup>o</sup>. 5. is the table, which is an horizontal plane, or face, at the top, and is denoted by the letter a. The triangular fassets adjoining to the table are star fassets, and are denoted by the letter b. Those adjoining

[ 17 ]

adjoining to the extream part, or out-lines, are skill fassets, and are noted by the letter c. These, meeting in the middle of the upper sides, and corners of the stone, form figures of a lozenge shape round the upper sides and corners of the Stone, and are denoted by the letter d. The out-lines of this, and that of the right-hand draught, are the girdle of the Stone, and are denoted by the letter e. The triangular fassets adjoining to the out-lines of the right-hand draughts are the under skill fassets, and are denoted by the letter f. The lower sides are denoted by the letter g. The octagon in the middle is the collet, which is denoted by the letter b ; and is an horizontal plane, or face, at the bottom of the Stone. This description serves as an explanation of the other three double draughts. All lines within the out-lines of the draughts, are

C

[ 18 ]

are called *ribs* in Diamonds. These draughts, with these explanations, will always be found of use to give a right idea of *a Brilliant* Diamond. In Plate VI, there is a draught of an instrument useful for examining the size and depth of any Diamond, called a *prover*.

---

*Of the sizes or expansion of BRILLIANTS.*

**I**N Plates II, III, IV, V, is exhibited *a list* of the draughts of the horizontal representation of 55 *square* Brilliants, from one carat weight, to an hundred carats, ranged in a progressive order, according to their increase in size, and weight; which are so many tests to prove the truth, or error, of the manufacture of any Brilliant Diamond.

[ 19 ]

Diamond. Here it is to be observed, that their *depths* are expressed by the length of the bars placed under each draught; and *the size* of their *collets*, by the octagons under the bars, in order more distinctly to discern their several parts. The numerical figures on the left-hand of each draught, regard their *number*; those on the right-hand, their *weight*.

The reason why the number of sizes is not more multiplied, is, lest the progression of increase in size should not be discernable; and, by that means should create too great a difficulty in adjusting the degrees in which any stone departs from truth. And this the rather, on account of other stones differing in their shapes at the *table*, *girdle*, and *collet*, from those of *square Brilliants*; which increases, in some measure, the difficulty of determining

mining any difference to a great nicety; the use of the fizes being to expose any considerable, or gross departure from truth, and to prevent the carrying on the *base* and *heavy* manufacture, which has of late prevailed in an extravagant degree, to the great disparagement of the Diamond species; and has contributed, likewise, to a great deception, and imposition on the publick. It may with truth be said, regarding *small Stones* (which means Stones under the weight of a carat) that, in general, they are so ill made as to be void of their true beauty in all respects; and, by reason of their closeness, or want of due expansion, they will not fill up, by one fourth, the same space as well made Stones do in a piece of jewelling work. Consequently, they are so much less in appearance; and, as they retain one fourth

fourth more weight, than well made Stones of the same expansion; and, as they are wrought for one third, or half the price, the vender of such can afford to sell them at least 30 *per cent.* less, than he can afford to sell well made Stones.

The truth of these matters will evidently appear by future enquiry and observation.

---

*Of the Use of the BRILLIANT SIZES  
in discovering ill wrought ones.*

**H**ERE it may be proper to show, how far this ill manner of working before-mentioned may debase Diamonds of larger fizes, and how much it may contribute to the deception both of buyer and feller. To that end will

[ 22 ]

be shewn the use of the *sizes* in discovering a *well*, or an *ill* made, Brilliant. For example, suppose two stones of *six carats* weight each, the one a well made, the other an ill made Stone; the first will tally in all circumstances with N<sup>o</sup>. 20. of six carats weight; and the last may be *loaded* with *undue* substance, by which means its expansion may not exceed one of five, or four carats weight. If any Brilliant be so circumstanced, it is to be valued only as it agrees with any of the same expansion in the list, allowing for the expence of rectifying; because, whatever substance, or weight, it carries beyond what its size demands, destroys, in proportion to such excess, the beauty of its make, and its true spirit and lustre. And here may be seen, the difference it would make to a purchaser, who may be induced to  
give

( 23 )

give the price, that a well made Stone of six carats weight demands, for one whose expansion may not exceed that of five, or four carats weight. For example, a Stone of six carats weight, by the rule before laid down, is worth - - - - - L 288 0 0  
One of five carats - - 200 0 0  
One of four carats - - 128 0 0  
If the difference be so great in the instance given, how much greater must it be in regard to Stones of larger weights? And as that may be easily known by the same method of enquiry, no other instance need be here given.

Since then, so great a deception may arise from the ill manufacture of Diamonds, the great use of the *sizes* in discovering such, evidently appears. And, as the attaining a right knowledge of the *true make* of Diamonds,

C 4

will



[ 24 ]

will be found, of all other circumstances, the most necessary in arriving at their *value*; some remarks are here made, by which the reader is informed in what manner the *defects* of ill made Brilliant Diamonds will appear. To that end, an instance is given of a Stone of six carats weight, which is but of the expansion of one of five carats. It will partake more, or less, of all the following defects. Either it will be *deeper* than a Stone of five carats; or, if not deeper, its *table* and *collet* will be *larger*, and that will render it *blocky*, by the sides being too upright; or, it will be left too thick at the girdle, before the *small work* (which means the *star*, and *skill fassets*) is performed; and, if such thickness be sufficiently reduced; that is, so as to be consistent with safety in setting, the skill fassets will be executed in an *obtuse*, or *blunt* manner,

[ 25 ]

manner, and that will cause an undue *swelling* in the Stone; or it may, after all, be left too thick at the girdle. A Stone thus made will unavoidably be of an ill form, and be rendered lifeless, and dull; which cannot be rectified without the loss of its superabounding weight, which will reduce it to five carats; and therefore it is to be valued only as *one of* five carats. And in case a Stone, weighing six carats, should tally only in size with one of four carats, these defects will be proportionably increased, to the still greater prejudice of the Stone; and therefore it will be purchasing deformity at the price of beauty.

Of

*Of the method of manufacturing, and valuing, SPREAD BRILLIANTS.*

**C**ONCLUDING it unnecessary to add any thing farther on the head of *full substanced*, and *over-weighted* Brilliants; the next thing that requires notice, is, the method of manufacturing and estimating *spread Brilliants*. As to the method of making them; to do it in the most compleat manner, they must be proportioned, as in the case of full substanced ones,  $\frac{1}{3}$  at the *upper*, or *table* side, and  $\frac{2}{3}$  at the *under*, or *collet* side; and whatever be the diameter of their *tables*, that of their *collets* must be  $\frac{1}{5}$  thereof. The small work is to be performed in the same manner as is practised in full substanced Stones. This is all that is necessary

cessary to be taken notice of, in regard to their *manufacture*. But, previous to the method of *valuing* them, the following observation may be suggested;---that, as sufficient reasons have been given to make it appear, that Brilliants may be injured in their shape, and true beauty, by a superabounding of weight; so, on the contrary, it will appear, that if they do not carry their true, or full substance, they will be injured in both these circumstances; by reflecting on the consequence of rendering them very thin or spread; which has frequently been carried to so great an *excess*, as to deprive them of the benefit of workmanship; for the work must necessarily be so flat, as to cause such Stones to be faint, and languid in their lustre, and thereby less worthy of esteem in proportion to such excess. Notwithstanding which, it will be found,

[ 28 ]

found, that in past times, instead of valuing THE WEIGHT of such wrought Diamonds, *less* on that account, it has been valued *the more*; merely for the sake of their making a showy appearance. To which may be added, that all such Stones are more liable to receive injury by blows, falls, or hard pressure, than full substanced ones.

Here it is necessary to explain what is meant by *excess*, because it must be allowed, that some Stones are so formed by nature, as not to be capable of being manufactured by art into any other than spread Brilliants, without too great a waste of the Diamond species. Therefore, it may be laid down as a fit rule, to include under that denomination (*viz.* of excess) all spread Brilliants expanded beyond the size of full substanced ones of double their weight; and such  
are

[ 29 ]

are to be valued only as they may be supposed to weigh, if reduced to this standard.

It remains to show, in what manner *spread Stones* are to be valued; which is as full substanced ones are of the same weight, similar in all other circumstances. And they are to be so valued, on account of their expansion to the degree above-mentioned; for it must be admitted, that the spaciousness of their appearance to that degree, counter-balances the deficiency of lustre, owing to their want of substance. And this is all that can be offered in justification of so valuing them, which carries the appearance of partiality rather in their favour, than disfavour; especially in regard to such as are of the greatest expansion within the limits mentioned; considering, that full substanced

substanted Stones have all the advantages that both nature and art can bestow.

Of ROSE DIAMONDS.

HERE it is to be observed, that nothing can more perpetuate ROSE DIAMONDS in the esteem they have hitherto had in the world, than maintaining the truth of their manufacture. Nor was it ever more fit to be recommended than at present, on account of the corrupt taste that has of late prevailed, in converting *Rose Diamonds* into *Brilliants*, under pretence of rendering them, by that means, a more beautiful, and excellent Jewel. This has frequently been done, to the great prejudice of their value, by lessening

lessening the weight, and expansion they bore in their preceding state; and they have frequently been more injudiciously manufactured in the *new* species, than they were in the *old*. This will appear to have been often the case, by the *upper part* of such stones not carrying a true proportion of the substance of the Stone: Which of course renders the upper part flat, and the table of an immoderate extent; so that the *side work*, or bezil, appears but as a narrow border. This method of working has been introduced for the sake of preserving the expansion, and weight of such Stones, which unavoidably would be more reduced, if they were allowed their true proportion of top. Which reduction both of their weight and expansion will appear ever necessary to be done, to render such Stones compleat

[ 32 ]

compleat spread Brilliants; for such only are they capable of being manufactured into.

---

*Of the impropriety of transforming well wrought ROSE DIAMONDS, into BRILLIANTS.*

**F**ROM what has been observed, it will appear, that no Rose Diamonds are proper subjects of this metamorphosis, but such only as are *overweighted*; and of such, those are the most proper subjects of the metamorphosis which have the base, or girdle, too thick. The over weight will be discovered by the *sizes* hereafter mentioned. To convert any Rose Diamond, not so circumstanced, to a Brilliant, will be shown to be a practice  
not

[ 33 ]

not founded in reason, and which carries in it the appearance of an attempt to depreciate this antient and spacious manufacture of Diamonds, in order to exalt a new one beyond its real and true merit.

For it will be found, that a compleat Rose Diamond will be more *expanded* than a compleat Brilliant of the same weight, and proportionably so in regard to spread Stones; therefore, as it has been shewn, that an increase of expansion is substituted in the room of depth, or substance, in Brilliants, the same is to be admitted in regard to Rose Diamonds, provided their expansion does not exceed the limits prescribed in the case of spread Brilliants.

And if it be admitted, as some have asserted, that there is a superior excellency in Brilliants; what must be the consequence, but that Rose Diamonds

D

must

must sink in their value, to the great prejudice of the most noble and anti-ent Families, who are greatly possessed of them, as being a more antient Jewel than Brilliants? But, on the contrary, it will appear that Rose Diamonds, when truly manufactured, are not inferior to Brilliants, all circumstances considered.

---

*Of the Form of a ROSE DIAMOND.*

SOME observations are now to be made concerning their *form*. Their being called *Rose Diamonds*, probably took its rise from their shape, in some measure resembling that of a rose-bud before it expands its leaves. They appear in a kind of semi-globular form, only terminating in a point at  
I the

the top. Which form, and likewise the work, or facets thereof, covering *the whole face* of the Stone, being more equal, exhibit a more even display of beauty, than a Brilliant, whose lustre is derived from the *angles*, or facets, of *the sides* only. And as their angles are larger than those of a Brilliant, they throw forth more copious rays, the lustre of which appears to be equivalent to the sparkling vigour of the smaller, and more numerous angles of a Brilliant.

The fitness of asserting the dignity of the Rose Diamond manufacture having been shewn, the manner in which it is to be performed, is next to be pointed out. But first, it is necessary to lay down what is requisite to constitute a compleat Rose Diamond. A *round*, or *circular* Stone is found the fittest for that purpose ;  
D 2 because



[ 36 ]

because its form is the most beautiful, and productive of more vigour than any other shaped Stone; which arises from its admitting of more equal, and better connected facets, than other shaped Stones will allow of. And for this farther reason, that the same substance, and manner of proportioning, which renders them most compleat, will render Stones of *any other shape* as beautiful as their forms will admit. The right substance, proportions, and manufacture of a circular Rose Diamond are as follow.

---

*Of the Manufacture of a ROSE  
DIAMOND.*

**T**HE depth of the Stone from the base to the point, must be half the breadth of the diameter of the base

[ 37 ]

base of the Stone; and the diameter of the crown must be  $\frac{3}{5}$  of the diameter of the base; and the perpendicular from the base to the crown must be  $\frac{3}{5}$  of the depth of the Stone; and then, the lozenges, which appear in all circular Rose Diamonds, will be equally divided by the ribs that form the crown. The upper angles, or facets, will terminate in the extrem point of the Stone, and the lower in the base or girdle.

In the 6th plate, there are four draughts of Rose Diamonds manufactured by the before-mentioned rules. The first is *a side view* of a circular shape. The second, *an horizontal view* of the same. The third, *an oval*. The fourth, *a drop*. Their several parts are explained by the first and second draughts. As to the first, *a*, is the *point*; *b*, the *crown*; *c*, the *girdle*. The upper triangles, or facets,

D 3            show

[ 38 ]

show half the work of the crown; the under triangles, half the side. As to the second draught, the common intersection of the six cross lines meeting in the centre of the draught, is the *point*; the lines that form the hexagon, and the triangles within it, compose the *crown*; the triangles without the hexagon compose the *sides*; the out-lines show the *girdle*. All lines in the draughts are called *ribs* in Diamonds, except what express the girdles. These draughts are representations of Rose Diamonds of 36 carats weight each, and may be of perpetual use to give a right idea of their proper figures, and workmanship.

Of

[ 39 ]

*Of the Sizes of ROSE DIAMONDS,  
and their Use in discovering ill  
wrought ones.*

**I**N the following Plates VII, VIII, IX, X, is exhibited a list of 55 draughts of circular Rose Diamonds from one carat weight, to an hundred carats, which are so many tests to prove the *truth*, or *defects*, of any manufactured Stone of that kind. Their use, as in the case of Brilliants, will be shown in proving a Rose Diamond to be either truly made, or not. For example, suppose one of five carats weight; if it be truly made, it will be as expanded at the base, or girdle, as N<sup>o</sup>. 18. of five carats, and the size of the crown will also agree therewith; its depth will be likewise half

D 4

its

[ 40 ]

its diameter, or breadth. But if it be basely made, and left *loaded* with undue weight, its expansion at the base may not exceed one of above three, or four carats weight. Such a Stone, according to the degree in which it falls short of its just size, will partake of some, or all the following defects. Either its depth, from the base to the point, will *exceed* the rule ; or, tho' it should not be too deep, its sides below the crown may be *too upright*, which will be discovered by the crown's exceeding its proper extent, and that will consequently cause a flatness from the crown to the point ; or the crown may be situated *too high* ; if so, the size of the crown may not exceed its just extent, but then it will occasion an increased flatness of the crown, and produce an extravagant depth below it ; or the girdle may be left *too thick*. If

any

[ 41 ]

any Rose Diamond is made after this manner, it will, according to the degree in which it is thus defective, be injured in its shape, spirit, and lustre ; and therefore is not to be valued by its weight, but only as it agrees in size with any in the list ; for the same reasons as are given in the like case of Brilliants.

---

*Of the Method of manufacturing,  
and valuing, SPREAD ROSE  
DIAMONDS.*

**T**HE next thing to be regarded, is the manner of making, and valuing, *spread Rose Diamonds*. As to the manner of making them ; what is necessary to be observed, is, that their crowns must be of such an extent, and placed

[ 42 ]

placed in such a situation, as to prevent any disproportionate flatness in the crown, and unequal division of the lozenges: And, that they be made as thin at the girdle as is consistent with safety in setting them. This is all that is necessary to be observed on that head. As to valuing them; the same method is to be observed, as in the case of spread Brilliants in all respects.

*Note,* This article of making *spread Rose Diamonds*, is as necessary to the same ends and purposes, as the manufacture of *spread Brilliants*; inasmuch as they occupy thinner matter than Brilliants can.

From what has been said of Rose Diamonds, it seems evident, taking in all circumstances, that they deserve as much esteem and regard as Brilliants, and are intitled, weight for weight, to an equal value: Some persons

[ 43 ]

sons with us, and those of great reputation for knowledge in Diamonds, prefer the former to the latter; but, although this be the opinion of particular persons, it seems no better grounded than that of others, in giving Brilliants the preference; for the same consequence must follow from thence to the possessors of Brilliants, as has been mentioned concerning the possessors of Rose Diamonds; which was, that if Brilliant Diamonds were preferred to Rose Diamonds, these latter must sink in their value; so, on the contrary, if Rose Diamonds are preferred, Brilliants must sink in their value; and if they are equally esteemed and valued, as appears they ought to be, it will conduce to the saving of weight, that a bias to either mode of working will unavoidably occasion.

The

The next thing that falls under consideration, is the methods of valuing Diamonds.

*The first Method of valuing WROUGHT DIAMONDS in conjunction with ROUGH DIAMONDS, out of which they are supposed to be wrought.*

**A**N example is here given to show in what manner the value of a manufactured, or wrought Diamond, of one carat, is to be found, upon the principle advanced, supposing rough Diamonds to be valued at two pounds *per carat*.

The weight of such a stone must be doubled (on account of half being supposed to be lost in working it) which

which is considered as its original weight, making two carats; then multiply that weight into itself, which squares it, and makes 4; lastly, multiply the 4 by 2, that produces eight pounds, which is the value of a Stone of one carat wrought or polished, and is equal to the value of the rough Diamond of two carats, out of which it is supposed to be made. This single instance is here given to show the value of rough Diamonds in the price of wrought ones; and as a farther explanation of the rule of valuing them, and previous to the offering any other, it is to be observed, that although two pounds is laid down as the general price of rough Diamonds, it is nevertheless to be understood, that rough Diamonds differ in their value according to their different degrees of perfection or imperfection, and according

[ 46 ]

according to the loss of weight they may be supposed to sustain in being truly wrought ; as it is well known, that some will lose abundantly more than others, arising from their ill forms and other defects that may attend them, which defects are so numerous and difficult to be expressed, that what may be said of them would probably not be understood but by the most experienced traders and manufacturers of them. This consideration and that of its being but of little concern to the publick, prevents my saying any thing more relating thereto.

In farther explaining the principle of valuing wrought Diamonds, three other instances, besides that already given, will be offered, to shew the operation of the principle in coming at the value of wrought Diamonds, which it is judged will be sufficient in all other cases

[ 47 ]

cases in this way of proceeding. After that will be offered three more of the same weight, in a different manner of proceeding, but to the same end.

Here it may be proper to hint, that all the instances that will be given, are founded upon the price of rough Diamonds in general being put at two pounds *per* carat, *viz.* good and bad blended together, as has been before noticed ; so that two pounds is the price of the middle sort only : And it is also to be remembered, that in manufacturing, half the weight is supposed to be wasted. And as mistakes may be made in calculating the value of particular Diamonds, in the manners hereafter prescribed, it is here noted, that the prices of Diamonds, from one of one carat to one of an hundred carats, of this degree of goodness, are contained in Plates XI, XII, XIII, XIV,



XIV, XV, XVI ; which will prove the truth or falsity of any calculation: And it is also to be observed, that the expence of manufacture, or workmanship, is excluded in all the instances that will be given on this occasion, the reasons of which will hereafter appear.

Now follow the three other instances proposed, to explain this first method of finding the value of any wrought Diamonds.

*The first* INSTANCE.

To find the value of one of five carats weight, the weight must be doubled, on account of half being supposed lost in working it ; that replaces its original weight, which makes ten carats ; then multiply 10 by 10, that squares

squares the weight, and makes 100 carats ; and, lastly, the 100 must be multiplied by 2 pounds, the price of one carat ; that produces 200 pounds, and is the value of a wrought Stone of five carats, and the price of the Diamond when rough.

E X A M P L E.

	10 Carats
Multiplied by	10 Pounds
Makes	<u>100</u>
Multiplied by	2 Pounds
Makes	<u>200 Pounds.</u>

*Second* INSTANCE.

To find the value of one of five carats  $\frac{1}{8}$ , the weight must be doubled, that makes 10  $\frac{1}{4}$  ; next multiply that weight



[ 52 ]

*The SECOND METHOD of valuing WROUGHT DIAMONDS, in Conjunction with the ROUGH DIAMONDS, out of which they are supposed to be wrought.*

*First* INSTANCE.

**T**O find the value of a Diamond of five carats weight, as in the foregoing cases, so in this, the weight must be doubled; that makes 10 carats. As a rough Diamond of one carat is valued at two pounds, every carat in this Stone accumulates ten times that value; and so every carat in this stone is to be valued at twenty pounds; therefore multiply 10 carats by 20 pounds, that will

[ 53 ]

will produce 200 pounds, and is the value of the Stone, rough or wrought.

E X A M P L E.

	10 Carats
Multiplied by	20
	<hr/>
Makes the Total	200 Pounds.
	<hr/>

*Second* INSTANCE.

To find the value of one of five carats  $\frac{1}{8}$ ; the weight doubled makes 10 carats  $\frac{1}{4}$ ; next reckon that weight in the foregoing manner, that makes every carat in this Stone worth twenty pounds, ten shillings: So first multiply 10 carats by 20 pounds, that makes 200 pounds; then multiply 10 carats by 10 shillings, that makes

E 3                      100

[ 54 ]

100 shillings, or 5 pounds; next add the value of a fourth of a carat at the rate of 20l. 10s. that makes 5l. 2s. 6d. lastly, cast up these three sums, the total will be 210l. 2s. 6d. and is the value of the stone, rough or wrought.

E X A M P L E.

Multiplied by	10	Carats
	20	Pounds
	<hr/>	
Makes	200	Pounds
10 Cts. mult. by 10s. makes	5	
The Value of $\frac{1}{4}$ of a Carat } at 20l. 10s. is	5 2 6	
	<hr/>	
Makes the Total	£. 210 2 6	

Third I N S T A N C E.

To find the value of one of five carats  $\frac{1}{4}$ ; the weight doubled makes ten

( 55 )

ten carats  $\frac{1}{2}$ ; reckon that weight as in the two other cases, that makes every carat in this Stone worth 21 pounds: So multiply 10 carats by 21 pounds, that makes 210l. then add the value of the half carat at 21 per carat, that makes 10l. 10s. lastly, add the two sums together, the total will be 220l. 10s. and is the value of the Stone, rough or wrought.

E X A M P L E.

Multiplied by	10 Carats
	21
	<hr/>
Makes	210
The Value of the $\frac{1}{2}$ Carat } added, which is	10 10
	<hr/>
Makes the Total	220 10

E 4 The

[ 56 ]

The instances that have been given of *two methods*, for finding the value of *wrought Diamonds*, as they stand connected with the *rough* (out of which they are supposed to be made) it is apprehended, are a sufficient explanation of the principle for valuing *rough* and *wrought Diamonds*; and prove its being founded on reason.

---

*Of the Method of valuing WROUGHT DIAMONDS, exclusive of any Regard to ROUGH DIAMONDS.*

**A**S instances have been given of two different methods of attaining the value of wrought Diamonds, in which cases the value of rough Diamonds of double their weights

[ 57 ]

weights have been jointly considered, they being supposed to be made from such rough Diamonds; three instances of manufactured Diamonds, of the same weights, will be now offered, to shew in what manner their value may be found, exclusive of any regard to rough Diamonds: And as the last method appears the shortest, and most easy to be understood, that method will be made use of on this occasion.

This is to be known by applying the price they bear manufactured, which has been shewn, *viz.* that as rough Diamonds are valued at two pounds *per* carat, a wrought Diamond of one carat is worth eight pounds; so to find the value of a Stone of that degree of goodness, whatever number of carats are contained in such a Diamond, each is to be valued at eight pounds; and whatever

[ 58 ]

ever sum they make, must be multiplied by the weight of the Diamond.

The instances are as follow.

*First* I N S T A N C E.

To find the value of such a Diamond of five carats weight, reckon every carat at eight pounds; then multiply 5 carats by 8 pounds, that makes 40 pounds; so every carat is to be valued at 40 pounds; then multiply 5 by 40, that produces 200*l.* and is the value of such a Diamond.

E X A M P L E.

	5 Carats
Multiplied by	40 Pounds
Makes the Total	<u>200</u>

*Second*

[ 59 ]

*Second* I N S T A N C E.

To find the value of one of five carats  $\frac{1}{8}$ , at the rate of 8 pounds *per* carat; multiply 5 by 8, that makes 40; then add to that the value of  $\frac{1}{8}$  of eight pounds, that is one pound; so the value of every carat in this Stone is 41 pounds; then multiply 5 by 41, that makes 205 pounds; next add the value of  $\frac{1}{8}$  of 41 pounds, that makes 5*l.* 2*s.* 6*d.* These two sums cast up produce 210*l.* 2*s.* 6*d.* and is the value of the Diamond.

E X A M P L E.

	5 Carats
Multiply by	41
Makes	<u>205</u>
To which is to be added the } Value of $\frac{1}{8}$ of 41 <i>l.</i> which is }	5 2 6
Makes the Total	<u>£. 210 2 6</u>

*Third*



[ 60 ]

*Third* INSTANCE.

One of five carats  $\frac{1}{4}$ , the value of  
 each carat is 42 pounds; multiply 5  
 by 42, that makes 210 Pounds  
 Then add the value of  $\frac{1}{4}$  of } 10 10  
 42, which is  
 Makes the Total £. 220 10

*Of the highest and lowest Price of*  
 ROUGH and POLISHED DIA-  
 MONDS.

**H**A V I N G explained the dif-  
 ferent methods of finding the  
 value of rough and wrought Dia-  
 monds, of the middle sort, the first  
 being rated at two pounds *per* carat,  
 the

[ 61 ]

the second at eight pounds; as rough  
 and polished Diamonds may be of a  
 higher and lower value, it remains to  
 shew what may be the highest and  
 lowest of each.

First, I shall speak of rough Diamonds,  
 and shall suppose three prices; for in-  
 stance, one pound, two pounds, three  
 pounds; the middle being two pounds,  
 there appears an advance of one pound  
 above the middle price, and a fall of  
 one pound below; which is a  
 deviation of fifty *per cent.* each  
 way, and makes the worst sort be but  
 $\frac{1}{3}$  the value of the finest.

That the two extreme prices natu-  
 rally proceed from that of the middle  
 price, I shall endeavour to prove;  
 and in order thereto, I shall first shew,  
 that no rough Diamond, which is not  
 worth one pound *per* carat, ought to  
 be manufactured; because all that are  
 of

[ 62 ]

of less value must be very defective, carrying many, or all of the following blemishes, fouls, or stains, specks, flaws, being veiny, cragged, ill-formed, and of an ill-colour; which, consequently, must obstruct and defeat the purposes of manufacture; for with all that art can do, they will be void of lustre, which will sink them below the rank of a jewel.

Next, it is to be observed, that all under that value will sell for as much, to be used in cutting or forming the better sort, as any one can afford to give for them, with the view of manufacturing them; for the expence of workmanship must be the same as for better Stones, if well done; and if not well done, it will add to the other defects; and the loss of weight must be greater than what attends better Stones, by its being frequently necessary to discharge or lessen the defects  
before

[ 63 ]

before mentioned: Indeed, when a Stone of a very large size falls in the way, it may be thought worth the expence of working, as its size may recommend it, these being rarely to be met with, but not as ornamental to any thing; and such may be valued below four pounds *per* carat, as the buyer and seller may agree on.

As it cannot but appear, that no rough Diamond ought to be wrought that is not worth one pound *per* carat, this must be allowed the lowest price of rough Diamonds, worthy of manufacture, which, as has been observed, is half the value of the middle price; so allowing as much advance above it, makes the price of the finest rough Diamonds worth three pounds *per* carat.

This being admitted, it shews, that manufactured Diamonds, of the worst sort, are worth four pounds *per* carat,  
5 and

[ 64 ]

and the finest twelve pounds *per carat*; and this, probably, will be thought scope sufficient to employ speculation and judgment; and if the value of rough Diamonds should rise or fall, the middling price must be always that which the whole was valued at, good and bad blended together; and as many prices as will lie between those of the lowest price, and those of the middle price, so many must be admitted above the middle price, and that will determine the highest price: Or, in other words, whatever the worst are valued at below those of the middle sort, so much must the finest be valued at above the middle sort. And therefore the value of all Diamonds is to be adjusted within the limits of the extreme prices.

REMARKS

[ 65 ]

## REMARKS ON BRAZIL DIAMONDS.

**F**ROM the want of this knowledge, and the rule of valuing Diamonds, has arisen the wide difference of jewellers sentiments, concerning their just and natural value; the ill effects of which difference to individuals I shall be silent about, that having been too sensibly felt to need any remarks: But proceed to shew what an effect it has had in times past on this important property in general.

In the year 1733, rough Diamonds were not worth twenty shillings *per carat*; in the year 1735, not worth thirty shillings; in the year 1742, not worth more than thirty shillings *per carat*; all which may clearly be made appear from publick sales in the before-

F mentioned

[ 66 ]

mentioned years. Catalogues of them I have preserved, on which I have made particular remarks, and shall be ready to shew them on any proper occasion. I have been the more careful to preserve them, believing there never will be the like exhibited again ; and the farther cause of publishing these facts, is to shew, that if the traders had better known how to value Diamonds at that time, and had been better informed of the real cause of so great a plenty as then appeared, they would not have discovered so great a consternation as then possessed them ; which occasioned many, even of the most capital traders in *London*, to believe, that Diamonds were likely to become as plenty as transparent pebbles ; and they were so far influenced by this opinion, that most of them refused to buy Diamonds on any terms.

The

[ 67 ]

The adventurers were chiefly persons of low circumstances, on which account the *Lisbon* merchants dreaded any returns made them in Diamonds, or any sent them for sale ; being forced to deal with such persons upon credit, and at any price that these purchasers were pleased to give for them.

One of the most considerable *Portugal* merchants, with whom I dealt, told me, in the month of *Jan.* 1733-4, at which time I bought a parcel, to the amount of seven hundred and fifty pounds, that he had been forced (for want of more reputable buyers) to sell and give credit for many hundreds of pounds, to such as he would not have trusted with five pounds cash ; and that he found other merchants were in the like case : On which account there were many large parcels returned to *Lisbon*, they not being able to find

F 2

buyers

[ 68 ]

buyers enough, even of this sort, to take off their goods.

I shall here mention some other matters, that arose in conversation at this time. This gentleman observing me to be more exact than others in weighing the large Stones of the parcel I bought of him, and some of other parcels, asked me the reason of it; upon which I told him, that no man who did not know how to value Diamonds in proportion to their weight (whatever knowledge else he might have of rough Diamonds) could be a proper judge of the value of any Stone. Upon which he was pleased to say, if I had that secret, he apprehended I might get what money I pleased. I told him, it could be of no service to me till it became publick, and the world made sensible of the truth of the principle. Upon this

he

( 69 )

he said, he thought it might be of great use to make it publick, and asked, if I did not intend to communicate it to the world. I told him, it was my intention, when circumstances rendered it more proper; observing it would be by no means proper then, as the publick, and likewise the traders in them, were so apprehensive of the *Brazil* mines producing an inexhaustible store; judging from thence, the world would scarcely think Diamonds worth any consideration, especially as jewellers so undervalued them.

As this has been, and still is, in a less degree, the state of the case in regard to Diamonds, it may be proper to inquire, whether it be fact, that these mines have produced any Diamonds; or whether the Diamonds that have been sent from thence, be not such as they procured by trade.

F 3

Hav-

[ 70 ]

Having many years past been very solicitous to know the truth of this matter, I have spared no pains to come at as good a knowledge thereof as I could procure ; and what information I have met with, I shall disclose.

In the year 1734, I had the pleasure of being acquainted with a gentleman that had been, but a few years before that time, governor of *Fort St. George*. He told me, upon my talking with him about the *Brazil* mines, that he did not believe a tittle of the report, and gave this as a reason for his disbelief of it, namely, that when he was at *Fort St. George*, he was informed, that the *Brazil* people had long carried on a secret trade with the *India* people at *Goa* for Diamonds, and was assured they had a vast stock, but not very fine, they generally chusing to buy the more indifferent sort, for the  
fake

[ 71 ]

fake of cheapness ; and he said, whatever quantity came from thence, would not alter his opinion, in regard to the value of what he was possessed of, nor would he abate of the price they were valued to him at, in *India* ; saying, they only knew how to value Diamonds. In this resolution he persisted to his death, which happened but a few years since. Some of these Diamonds he sold before his death, at his own price ; and he then said, it was his opinion, that their sending their Diamonds to *Lisbon*, was not a matter of choice, but necessity, being forced thereto, in order to raise a large sum of money to discharge great arrears of indulto, which they then owed the king of *Portugal* ; and the same has, since that, been said by others. And, moreover, it has been said, that the late king having been

F 4

made



[ 72 ]

made acquainted that they were greatly in debt to their *European* correspondents, he insisted upon their sending a sufficient quantity to discharge those debts; and when they came to *Lisbon*, in order to give immediate satisfaction to the merchants, it was said, the king ordered them to be sold in a publick manner, for the sake of expedition; and some have thought it was done out of resentment to his *Brazil* subjects, for their using him and the *European* merchants ill; he knowing they had it in their power long before to have remitted these Diamonds.

Another circumstance had like to have escaped my notice, which is, that it has been also reported here by persons of figure and unquestionable veracity, who happened to be at *Fort St. George* when it was reported that the *Brazil* mines had furnished *Eu-  
rope*

[ 73 ]

*rope* with a great quantity of Diamonds very cheap, that the *India* people laughed, and said, it would not alter their price.

From what has been observed, there seems room to think, that these Diamonds are the effect of the king of *Portugal's* subjects trade, and not the produce of his *Brazil* mines; for it cannot be thought any prince would have countenanced such a disadvantageous method of disposing of the produce of his own mines, as was practised in getting rid of them, notwithstanding any redundancy; on the contrary, that he would have restrained the sending any quantity, that must tend to sink their value, which is always carefully avoided by the *India* people.

And if it were true, that his *Brazil* mines so abounded with Diamonds, they

[ 74 ]

they must be come at with a great deal less expence than attends the search of Diamonds in *India*; and of course he must become the richest prince in *Europe*: For it would be an additional employment for his *Brazil* subjects, in consequence of which his commerce must be greatly increased; in as much as we should always encourage it, rather than that of the *India* trade, on account of our purchasing Diamonds in *India* chiefly for bullion. And can it be supposed, a wise prince would disregard a gift of Providence so highly esteemed by the eastern part of the world? And therefore the methods made use of, must be supposed to proceed from the late king's knowing they were the effects of trade; if so, it cannot but be judged a wise and just step in him, to force them to discharge their obligations to himself, and their

corre-

[ 75 ]

correspondents, knowing they could procure no advantage to them, by lying in their hands as a dead stock. Besides, trading in Diamonds has been disallowed by the late king, and to conceal it from his knowledge is supposed to be the reason of their giving out, that the Diamonds they were formerly possessed of, were the produce of his *Brazil* mines; and to make it the more plausible, they suffered it to be reported, that they were of a different nature, as well as worse than *India* Diamonds.

Upon this occasion I will venture to say (from critical observations, in an extensive commerce and manufacture of both) that there has not appeared to me a circumstance in those called *Brazil* Diamonds, that I have not found in *India* Diamonds; and it is likewise noticed, that some years cargoe from

the

[ 76 ]

the *Brazil* have been as fine as any year's cargoe from *India*; and that the small Diamonds have sold at as high a price as ever was given for small *India* Diamonds. And it is also remarked, that what have of late been brought from *Brazil*, we hear but little of, more than that their quantity yearly lessens, notwithstanding their price is raised more than treble of what they bore some years ago. There are various sentiments among traders concerning the cause of it; but being much divided in their opinions, I shall not trouble my readers therewith; not doubting, but their sending so few, will appear to arise from their not being possessed of more. And from hence may be inferred, that they are interrupted in this commerce, and deprived of the means of procuring them as formerly; which

3

means

[ 77 ]

means are supposed to have been their purchasing them with *Brazil* gold, wherein the *Brazil* mines are known to abound in a profuse degree; and in this sense it may be said, the Diamonds that we have had from thence, are the produce of the *Brazil* mines; and if there be a check, or an interruption thrown in the way of this barter, we cannot expect to have such quantities as formerly, although more or less may always come from thence; which has been the case before the great glut appeared, but they were not then called *Brazil* Diamonds, and what was brought from thence was conducted with great secrecy: And it is likely this trade will be continued, from the circumstance of Diamonds being so portable a commodity, and what may be conveyed with great secrecy, however strict his *Portuguese* majesty's orders

ders may be in prohibiting thereof. As to the political reasons for prohibiting this traffick, it is not my province to meddle with that.

Amidst what has been said to shew the improbability of the *Brazil* mines having produced the Diamonds that of late years have been placed to their account, the circumstance that has been before mentioned, deserves more than ordinary notice; therefore I shall recite it again; which is, that, notwithstanding the *India* people knew what despicable prices *Brazil* Diamonds sold for in *Europe*, in the before mentioned years, they kept up the price of their Diamonds; which seems to prove they were the fellers of those Diamonds to the *Brazilians*, and serves to explain what they meant by laughing at the report of the *Brazil* mines furnishing  
*Europe*

*Europe* with Diamonds, and their saying it would not alter their price.

This conduct, surely, deserves the highest applause; for had they copied after the *Brazilians*, this great article of wealth, by this time, would have been reduced almost to nothing; the ill effects of which, words cannot sufficiently express: The prevention of this evil the *India* people must have the honour of.

To maintain as invariable a price of these jewels as is possible, must be of the greatest utility to the publick; which they appear to be sensible of, from their past conduct; but there is more to be offered in proof of this.

It is attested by unquestionable authority, that when they find a slack demand for Diamonds, they always withdraw them; the consideration of any quantity they may be possessed of,  
seems

[ 80 ]

seems to be no motive with them for abating their price ; which is believed to arise from their supposing they have *no* competitors to subject them thereto ; and from what has been observed, the truth of it can scarcely be doubted ; and their manner of trading with us seems to be a farther proof of it ; which is thus :

They first find out what sorts are wanted, and then shew such goods and put their price : If they are sold, they have their demand ; for they suppose themselves to be the only judges of their value ; and it does not appear that any one has disputed the truth of it. From hence it is, that Diamonds are sent here in *bulces*, which means parcels of Diamonds neatly tied up in muslins and sealed by the sellers of them ; which Diamonds are generally bought here by the invoice, that is, are bought  
before

[ 81 ]

before they are opened ; it being always supposed they contain the value which they were sold for in *India* ; and the buyer here gives the merchant such a profit as contents him. The Diamonds being thus bought, the buyer opens the parcel, separates them, and then values them separately as his judgment directs ; making to himself likewise such a profit upon the whole parcel, as he thinks proper. And as this is the case, it is referred to the consideration of reflecting minds, whether or no any man can properly judge of the value of Stones of different sizes and properties, without some rule to direct his judgment. As for the different properties of Diamonds, speculation, assisted by the knowledge acquired in manufacturing Diamonds, is the only guide ; but whether any can judge of their  
G value,

[ 82 ]

value, regarding their magnitude, is the thing in question. It seems as if our traders thought the *India* people were masters of some rule for that purpose, by placing such confidence in them, as it appears they do by this representation; and it is believed, when the *European* part of the world are acquainted with the true method of estimating Diamonds, it will be found, that the *India* people have generally valued their large Diamonds alike at all times, let the demand for them vary as it may.

If that be the case, is not this issuing out another staple commodity, like that of gold and silver? And although its value is not ascertainable to so great an exactness as either of those, by an assay; yet it may appear, they are reducible to as great a nearness in speculation as either of the other two.

But

[ 83 ]

But however beneficial this may be, the value of Diamonds can never be at all settled in *Europe*, whilst we are amused with the notion of the *Brazil* mines being productive of Diamonds. How far it is the interest of these parts of the world to be well informed of the truth of this matter, is left to the consideration of the publick.

But suppose it should be remarked, that although Diamonds in *India* may at all times be near the same value, it cannot be the case in other parts of the world, arising from various circumstances: The chief cause of which variableness in the price of Diamonds, or any jewels, in other parts of the world, cannot but be seen to be the disagreement in the sentiments of jewellers concerning the natural value of them. But the ex-

G 2      extraordinary



[ 84 ]

traordinary instances in the late wars in *Germany* will be a farther proof of it, inasmuch as it has been told us by publick papers, that not above one third or one fourth of the money which gems have cost, could be procured by way of pledge or sale: Indeed, the avarice of the buyers may have some share in occasioning so great a loss. Does this prove the intrinsick worth of jewels, so frequently talked of? Must not this be a vast discouragement to great personages from vesting themselves with this property?---How fit therefore is it to render them as invariable in their price as the nature of things will admit of, since they possessed themselves thereof, not only for personal ornaments, but also as articles of solid treasure, to serve such emergencies as have been noticed? And it is known, that there are some rough Diamonds of  
great

[ 85 ]

great price, as well as polished, in *Europe*, which have been bought upon that principle.

Since it is thus, nothing can be a greater inducement to persons of high station to purchase Diamonds, than rendering their value more staple. And as nothing can accomplish that so much as being well acquainted with their true value, the following method will be found the only way of coming at that knowledge.

It appears from the reason of things, that all large Diamonds are to be valued according to the rule advanced, by the price that one of a carat bears, which is similar to the Stone, whose value you would know; for as you value the weight in a Stone of one carat, so must you that of a Stone of the same properties, let the weight be what it may. And as a farther proof

G 3

of

[ 86 ]

of its being right, it will be found, that jewellers of the greatest experience and knowledge have generally estimated Diamonds as this rule directs, by dint of sound judgment: And as the younger and less experienced must want some assistance in this important concern, this will put them in the right way, and by means hereof the value of Diamonds will be made universally known; as it lies in so narrow a compass as that of any one's making himself acquainted with the worth of a Diamond of a carat weight; which, it is presumed, persons of good judgment cannot be at a loss to know, let them be good, bad, or indifferent; and that such will agree in their sentiments concerning the value of a Stone of a carat weight, be it as it may, to five or ten *per cent.*

Of

[ 87 ]

*Of the Table of Prices of DIAMONDS.*

THE next thing to be taken notice of, is *a table*, which will be found in the 11th, 12th, 13th, 14th, 15th, and 16th plates. This table consists of *the price of Diamonds* from one carat weight to an hundred carats, formed upon the principle of valuing them by the square of their weight, upon the supposition that the governing price of rough Diamonds, good and bad blended together, is *2l. per carat*; so that *2l.* is to be reckoned the *mean, or middle price*, and will be found of great use to prevent the trouble of calculating the price of every Stone by the rule. If any Stone differs in its value from this mean, or middle price, whether

G 4

higher

[ 88 ]

higher or lower, so much *per cent.* is to be added, or deducted, as judgment shall direct. It may be observed, that the tables do not descend to sixteenths of a carat; it is omitted for brevity's sake, which may be supplied by casting up any two adjoining prices, and then take the half, that will give the prices of the intermediate weight. For example; a Stone of one carat will be seen to be the first article in the table, and to come to 8*l.* To find it out by the rule, the method is to multiply 2 by 2, that makes 4, which is the square of its weight; then multiply 4 by 2*l.* the price of one carat, that makes 8*l.* Here it is to be remembered, that all the prices which the table contains are supposed to be of the middle sort, and also that half the weight is supposed *lost* in *making*, which occasions the first multiplying by

[ 89 ]

by 2; but, as this method is more laborious, and intricate, in regard to Stones of *odd* weights, the table will be found of much convenience.

An instance is here given as a proof of a Diamond of seven carats  $\frac{7}{8}$  in the two different methods of valuing. For example; the first method is this: The weight of a Stone of seven carats  $\frac{7}{8}$  must be doubled, which makes fifteen carats  $\frac{1}{4}$ ; next, that weight must be multiplied by 4 to bring it to grains, that makes 63; then multiply 63 by 63, that makes 3969, the square of the weight in sixteenths; therefore divide the 3969 by 16, that brings it again to carats, which makes 248 carats and  $\frac{1}{16}$ ; which multiplied by 2 pounds produces 496*l.* 2*s.* 6*d.* The second method is this: First, see what a Diamond of seven carats  $\frac{7}{8}$  is worth *per carat*, which will be found to come to 63 pounds; first multiply

[ 90 ]

7 by 63, that makes 441 pounds; then add the value of  $\frac{7}{8}$  of 63 pounds, which comes to 55*l.* 2*s.* 6*d.*; these two sums added together produce 496*l.* 2*s.* 6*d.* so both totals are alike, and agree with the price of one of the above weight in the table.

It will be here proper to observe farther, that no notice is taken of the *additional price*, which the expence of manufacture would occasion in each Stone. This is omitted on account of the different prices, their different *sizes* and *weights* demand; and likewise on account of the different prices, which their various *substances* require. These circumstances render it impracticable to be inserted, and therefore the prices of both are contained in four tables, exhibited at the end of the treatise. The first table contains the price of *full-substanced*, or *full-proportioned* *Brilliant*s,

[ 91 ]

*Brilliant*s, explained as follows: The first column exhibits a supposed increase of size and weight, from a Stone of a carat, to one of an hundred carats. The first five articles are carried on by the increase of one carat each, the following by five carats each. The second column contains the price of their workmanship, according to their increase in weight, at the rate of 1*l.* *per* carat. The reason of carrying on the gradation by the increase of *five* carats, is for the sake of brevity; as the different prices of the intermediate weights are inconsiderable, compared with the increased value of such Stones. The first table being explained, it will serve as an explanation of the other three.

The second table exhibits the price of making *spread Brilliant*s, which is rated at 1*l.* 5*s.* *per* carat; and is  
so

[ 92 ]

so done for the following reasons: Namely, that all *spread* Stones require more care than *full-substanced* ones, and are not so soon dispatched. The third and fourth tables regard the price of manufacturing *Rose* Diamonds; which manufacture demanding less labour than that of *Brilliant*s, causes the price to be one fourth less, as will be seen by the 3d table regarding full-substanced, or full-proportioned *Rose* Diamonds. The 4th table regards *spread* *Rose* Diamonds, the price of which is the same with that of full-substanced *Brilliant*s, which is so raised for the same reasons as have been given in the case of *spread* *Brilliant*s. *N. B.* The prices in these tables are to be doubled in wrought Stones, half the weight being lost in manufacturing.

If I had not inserted the different expence of manufacturing Diamonds,

it

( 93 )

it would be found wanting in the value of every Stone; but may now be easily supplied from the tables just explained. An instance will fully evince their use, which I will give in the case of a full-proportioned *Brilliant*. For example; suppose the value is required of one of the mean, or middle sort, of  $7\frac{7}{8}$  carats; the Diamond, exclusive of the expence of workmanship, comes to 496 *l.* 2 *s.* 6 *d.*; the expence of workmanship must be reckoned at 3 *l.* 15 *s.* per carat, which comes to 26 *l.* 14 *s.* 4 *d.*  $\frac{1}{2}$ ; that being added, the whole makes 522 *l.* 16 *s.* 10 *d.*  $\frac{1}{2}$ .

From the various helps contained in this book, it may be reasonably expected, that such as are skilful in *Diamond*s, and acquainted with the current price of them, will hereafter universally agree.

The

[ 94 ]

The innate perfections and imperfections of Diamonds come next under notice.

---

*Of the innate perfections, imperfections, and water of DIAMONDS.*

**T**HE circumstances which distinguish *the finest* Diamonds are these. Their complexion must be like that of a drop of the clearest rock water: And if such Stones be of a regular form; and be truly made; and free from stains, fouls, spots, specks, flaws, and cross veins, they will carry the highest lustre of any whatever, and will be esteemed the most perfect.

If any are tintured yellow, blue, green, or red, in a high degree,

2

which

[ 95 ]

which seldom happens, they are next in esteem; but, if any partake of these colours only in a low degree, it sinks their value below the before-mentioned.

There are other complexions of a more compound sort, such as brown, and those of a dark hue. The first of these sometimes resemble the brownest sugar-candy, the latter dusky iron. And if any Diamonds are attended with stains, fouls, spots, specks, flaws, and cross veins, it will abate their lustre, and sink their value. Here it may be observed, that what is commonly called *the first water* in Diamonds, means the greatest purity, and perfection of their complexion, which, as was said, must be like a drop of the clearest rock water. When any speak of a Diamond falling short, more or less, of that perfection, it is expressed by saying,



[ 96 ]

ing, it is of the *second*, or *third water*, &c. till a Stone may be properly called *a coloured* one. And to speak of a Diamond imperfectly coloured, and containing any other defects, as a Stone of *a bad water* only, is very improper; as it does not convey an idea of the particular colour, or defects belonging to it.

---

*Of the superior Worth of DIAMONDS,  
over all other JEWELS.*

**D**IAMONDS have, in every age, been esteemed *the chief of Jewels*, on account of their innate specifick qualities; which, if not exhibited by proper skill, remain imprisoned. It is certain, that, in their natural state, they have not so much beauty

[ 97 ]

beauty or lustre, as some other sorts of Jewels; but when truly and judiciously manufactured, they throw forth a splendor, and lustre, surpassing all others, which justly entitles them to the most perfect workmanship, and will consequently be the most likely means of perpetuating them in the esteem of the world. And this will tend to establish their worth, and secure every one's property therein; whereas a neglect of exhibiting and displaying their beauty, by proper workmanship, will render them unworthy ornaments of the great and distinguished; which, of course, must sink their value. These considerations, doubtless, will influence the curious and discerning to give all due countenance to their being exhibited, in future times, with that beauty and lustre, of which they are susceptible.

H

And

[ 98 ]

And if the following additional circumstances be taken notice of, they will farther shew, that *Diamonds* deserve the chief regard of all Jewels. First, they are the best *repository of wealth*; inasmuch as they will lie in the smallest space of any, and are thereby the most portable and best conveyance of treasure. Next, their *superlative Hardness* secures them from all injury by wear; as nothing can make any impression on them, or prejudice their lustre, but their rubbing against each other. They can only be affected by *fire*, and that must be strong and lasting to do them much harm; and the injury they receive thereby arises chiefly from taking them *too hastily* from thence, whereby the immediate impression of the cold air may possibly produce flaws, &c. A moderate fire will

( 99 )

will only occasion a roughness on their surface, which may be repaired by new polishing.

---

*Reasons for working DIAMONDS in a compleat Manner, and the Consequences resulting from a contrary Practice.*

WHAT has been said of the superlative properties of *Diamonds, &c.* seems sufficient to recommend them to the protection of mankind, from any abuse arising by ill workmanship, as their pleasure, honour and interest are concerned in it; and nothing appears wanting to influence thereto, but that of the world's being convinced of the necessity of it, from being made acquainted

H 2

with

[ 100 ]

with the abuse that Diamonds have sustained by the contrary practice. To that end I shall first resume the observation that has been made on small Brilliants; which is, that they are in general so ill wrought as to be void of their true beauty and lustre, and will not fill up, by one fourth or one third, the space that well wrought Stones do, in a piece of jewelling work; of course, purchasers of such are deprived of one fourth or one third of the shew or appearance that well wrought Stones would make, and of the beauty and lustre that always accompany such: Next, that the same effects attend Stones of larger sizes, made after the same manner. *N. B.* The same ill effects also attend small or large Rose Diamonds, made in the same manner.

The ends and purposes that are to be served by this manner of working, naturally

[ 101 ]

rally fall under consideration: The most that can be pretended, is, that by the world's being brought into a favourable notion of these goods, on account of buying them at a lower price by weight than well wrought Stones, trade has been increased, and more hands employed; but it cannot mean the increase of *England's* trade, for that has been declining many years, and its hands unemployed, to the great impoverishment of the whole body of workmen, and those known to be as good as any, if not the best, in the world; and which has arisen from their refusing to work after this rude manner, and not being able to support themselves by the wages that are given abroad for such work, which appear not equivalent to the wages here given to the meanest handicraftsmen.

H 3

Admit-

[ 102 ]

Admitting our neighbours have increased the traffick, and employed more hands of the lowest sorts than we could ever boast of; let the consequences which are like to flow from this manner of working be considered.

By the continuance thereof, the disesteem that has of late been shewn to Diamonds may increase; which principally has taken its rise from thence, particularly in *England*; and that, probably, has been forwarded by the good appearance which crystal or false Stone work, commonly so called, has made of late (on which all the embellishment that care and skill can procure, has been bestowed.) This is observed to the credit and reputation of these traders, and their workmen; and in consequence thereof, this commodity frequently passes for Diamonds: And if the same care should be taken

[ 103 ]

in compleating that sort of work for foreign use, they also may enter into the like contempt of Diamonds; if so, what will become of this boasted increase of trade? But if the truth of the Diamond manufacture be supported, their lustre will conspicuously excel the faint and languid efforts of all crystalline matter, with all the helps of art.

To disgrace this first-rate Gem by ill workmanship, in bringing it down almost to the level of this commodity, seems to be very unwarrantable, especially, as it tends to sink this part of publick wealth, and is a manifest discouragement to art and ingenuity, and also of great prejudice to fair traders, who scorn to submit to the encouragement of such mean deceitful artifices, to enrich themselves.

[ 104 ]

But, notwithstanding what has been offered, to shew the impropriety, and ill consequences, of working Diamonds in an ill manner; it is to be feared, that such as have hitherto found their account in it, will pursue the same method, so long as they can find it their interest so to do. To prevent this abuse, the sizes of *Brilliant* and *Rose* Diamonds are exhibited, by which any one may know, whether a Diamond of either manufacture be well or ill made; and this is thought the most effectual means of putting a stop to it, judging all persons who have any considerable value of this kind, will afford their assistance in discountenancing such an injurious practice; if so, the world will see persons of rank and fortune distinguished from others, by the inimitable lustre of these jewels; for which

[ 105 ]

which purpose, doubtless, they were intended.

But it may be said, that many persons of rank and fortune are possessed of such ill wrought Stones, and the encouraging of this refinement of manufacture will make them appear in a worse light. This is allowed; but at the same time it is to be understood, that all ill wrought Stones are capable of being made as perfect, in respect to workmanship, as any, without the least loss of their expansion or breadth; and that such rectified Stones will appear to sight rather larger than in their present form; for by being made more open, every part of their upper surface will be more clearly seen, and what loss of weight they sustain will be compensated by the remaining weight being of more value; or, in other words, that weight will be worth more *per carat*;

[ 106 ]

carat; and then, such will weigh as much as they ought when sold; and by this means indifferent Diamonds may be made fine, if the matter or stuff be such, which is frequently the case; and the reason of their being but indifferent before, was their being overloaded with weight and other ways ill wrought, which obscured their true lustre. This compliance with what is proposed will make them of rather more value than when bought, and the loss to the purchaser is that which is paid for rectifying them. This will prove a greater disadvantage to the purchasers of small Diamonds than to the purchasers of larger Stones, as the workmanship of small Stones is a considerable part of their value.

Here it may be proper to observe, that the worst workmanship is frequently performed on coloured Stones,

to

[ 107 ]

to render them cheap, by which means they are generally despised; instead of that, they should have all the advantage that art can bestow on them, to recommend them to the just favour of the world. And Stones, however coloured, that are not attended with specks, spots, fouls, stains, or any other defects to weaken their lustre, ought to have the utmost skill of workmanship; and numbers there are, if well wrought, that would carry as much or more vigour and spirit than many that do not fall under that denomination; and, therefore, if any made Stones appear susceptible of an improvement of their lustre by being rectified, it is fit that such should receive the benefit thereof, for the sake of the pleasure and credit it must afford the owners, and the reputation that such a conduct will bring to this species of

of



[ 108 ]

of jewels. And it is to be imagined, that this will be thought worthy of some notice, as the world seems so strongly disposed to value perfection in this jewel ; and none can be said to be so, that has any manifest imperfection of workmanship.

And here I shall take the liberty to observe, that the truth of the manufacture of either was never brought under any stated rules of practice, nor was there any recourse to be had to prove the truth of the manufacture of any Diamond, till this treatise made its first appearance ; and for want of something of this kind, there have been, in all times past, innumerable disputes amongst workmen, concerning the true method of working Diamonds.

But this must be owned, that the fewest disputes on this head have been found

[ 109 ]

found amongst those of the best judgment ; and, moreover, it is known, that their practice, when left to work agreeable to their own sentiments, has nearly been conformable to the rules here advanced ; and to which practice they would always have adhered, if left at liberty ; but the selfish views of those they have wrought for have obstructed it, and laid them under a necessity of working according to the directions given them. This has been the cause of so much defective workmanship on Diamonds, and not only on middling Stones, but likewise capital ones.

This was the very cause of the largest Diamond that ever appeared in *Europe*, being wrought in a deficient manner ; which, if it be now as it came out of the hands of those who wrought it, I take the liberty to say, may

[ 110 ]

may be rendered compleat ; by which means its form will be more comely and graceful, its lustre greatly increased, and of course its value, although its weight may be something reduced ; and then it may be said to possess all the dignity that nature has favoured it with, and likewise that art has done it justice.

The first fact I can make appear by two leads cast from the Stone ; one, when it was a rough Diamond ; the other, when cut and polished : And the second, how it came to be wrought as it was, I can prove by incontestable evidence, &c.

That this is the case of this and many other large Diamonds, is not to be wondered at ; but rather, how those who had the direction of manufacturing such Stones, were influenced to submit to the loss of so much weight, having

[ 111 ]

having nothing but conjecture to direct their conduct ; and their having left an over weight, must be owned to be an error of the right side, as that may be discharged, whenever it is thought proper ; and it can scarcely be imagined, that any will be fond of retaining weight in a Stone, that renders it ungraceful in its figure, and destroys its life and vigour ; especially as its expansion is not lessened thereby, but will appear to fight larger than before, which, perhaps, may cause a Stone to be deemed good, that before was ranked in a lower class. And, as it has been before said, such Stones will be worth as much, or more, notwithstanding the reduction of their weight, than when possessed of their former weight, by the remaining weight being of a higher worth ; so the expence of rectifying them is the only loss that will be sustained. *The*

*The Use of the SIZES in purchasing*  
ROUGH DIAMONDS.

**A**S the use of the *sizes* cannot but be sufficiently seen in regard to wrought Stones, they will appear of equal use in regard to *rough* Diamonds, inasmuch as they will assist the judgment concerning the loss of weight that may be sustained in *working* ANY Diamond; and therefore must be of great service towards forming a right notion of their value, as it is well known, that some *rough* Diamonds must sustain a much greater loss, or diminution of weight than others, arising from their peculiar shapes. And to form a true judgment of the value of any *rough* Diamond, the price or value of one of a carat weight similar to the Stone

Stone which is to be purchased, determines its value, as in the case of *manufactured* Diamonds. But as it is more difficult to judge what a rough Diamond will prove *when cut*, than to judge of one *manufactured*; the buyer, supposing him a merchant, must act with proper precaution, and make sufficient allowance to himself for the uncertainty of the Stone's answering expectation when wrought. And, if it be a Stone of a considerable value, he must allow himself also for the interest of the money he lays out, according to the time he supposes the Stone may remain unfold. These precautions are the only means of guarding against the hazards, and disadvantages, that attend dealing in large rough Diamonds. And, by such a conduct, dealers may be enabled to sell at a price agreeable to the estimation

[ 114 ]

tion of the skilful; which estimation is the only thing to be regarded by those who purchase them for their own use. To urge any other considerations to the purchaser for augmenting the price of any Diamond beyond its just value, will, it is humbly apprehended, be judged a weakness, and likely to hinder the sale of such goods.

But, if it should be here remarked, that particular cases, or occasions, may justify the seller in demanding an advanced price for any Diamond; such deviations must be considered as merely occasional, and the buyer is at liberty, whether he will comply or not.

REMARKS

[ 115 ]

REMARKS *on the INDIA Manufacture of DIAMONDS, and their Custom in regard to ROUGH DIAMONDS.*

**A**LTHOUGH it has been supposed, under the head of valuing Diamonds, that the *India* people are acquainted with the principle of estimating them, it will be now shewn, that they are masters of no other essential parts of knowledge concerning Diamonds.

The manufacture of them they seem to know very little of, as appears by the wrought Stones that come from thence, none of them being fit for use, and therefore are always new wrought when brought to *Europe*; which I shall describe as follows: They are called lasks; they are in general

I 2

ill

ill shaped, or irregular in their form at the girdle ; their substance, or depth, is ill proportioned ; some have more of the Stone's substance at top than at the bottom ; their tables are seldom in the middle, or center, of the Stone, and the collets the same ; and sometimes the tables are of an extravagant breadth, and sometimes too small ; in the same manner are their collets, and seldom horizontal ; and their girdles are often very thick and not level ; the small work very irregularly performed, and none are properly polished ; and the chief thing regarded, is that of saving the size and weight of Stones : And this is not much to be wondered at in them, as they are unacquainted with the beauties of well wrought Diamonds. From hence it will appear, that they must be unqualified to judge of the true worth of individual

individual rough Diamonds. For instance ; they cannot know what a Diamond will lose in working, to be well made ; nor can they know if a Stone be coloured, what degree of colour it will retain, or what life and spirit a Stone will carry well wrought ; all which they are very conscious of ; and this makes it very difficult to trade with them for single Stones.

But it is not so difficult to trade with them for Parcels, because in them there are Stones of all shapes ; and as some will lose more, some less, they guess at that as well as they can ; and so in respect to their other properties, in which they are not quite so much at a loss ; and then they value them by the lump, as they weigh one with another, by the rule.

From whence we may see, how necessary it is for *Europeans* to be furnished

[ 118 ]

nished with knowledge, as by that means they must have some advantageous opportunities in buying large Stones, through the ignorance of these people. Although it has been shewn how much regard they have to the saving of weight in working of Diamonds, their attachment thereto will farther appear by the following custom having prevailed time out of mind, the reality of which seems not to be doubted.

The great people there employ a vast number of slaves in search of Diamonds: The small and middle size Diamonds they sell, and some of the large ones; but when they are fortunate in meeting with a very large one, they lay it up as a treasure, to aggrandize their family; and the head of the family has a small shallow hole drilled on the surface of the Stone,

5

and

[ 119 ]

and when he dies, the next chief does the same; and so from one to another: And the more of these holes a Stone has, the higher it is in esteem, although such holes may prejudice it, if it were to be manufactured; but as that is never intended, they do not regard such prejudice; and these Stones are never parted with, let what will happen; and if they foresee any ruin to the family (as that sometimes happens in their further pursuit of Diamonds, which is very expensive by the vast number of hands they employ in that undertaking) in such cases they bury those Stones, so that they never appear again. For they cannot bear the thoughts of any others having the possession of that which they have obtained at so great an expence; and it is said, that, in consequence of that custom, there are many very large

I 4

Dia-



[ 120 ]

Diamonds irrecoverably lost, and likewise many that will never be parted with.

This custom is imagined to arise from their being fearful of a Diamond's losing its value, by losing weight and magnitude in being wrought; which is very true, as they work them, because they are void of lustre; and therefore it is not an unreasonable conduct in them, on that account alone; but there is another reason assigned for it, which is, the hazard their Diamonds are exposed to by their manner of working: This is much greater than what attends the working of Diamonds in *Europe*, for they perform it in a rougher manner than is done by the *Europeans*, more especially in respect to polishing them; in doing of which they lay an excessive weight on their Diamonds through

[ 121 ]

through unskilfulness (and for want of such curious machinery or mills, as are in *Europe*) which makes it not practicable for them to give Diamonds a true polish.

*N. B.* Although this is the case in respect to the *India* manner of working, there come now and then Stones tolerably well wrought and polished; but these are supposed to have been done by *Europeans*, and upon their mills and *skeves*, and to have been the property of such.

---

*Some*

[ 122 ]

*Some Account of* AUTHORS, *who have heretofore treated of* DIAMONDS *and* PEARLS, *and the Improvements which have been made since their Times.*

**T**HOUGH what I have advanced is really the produce of many years critical observation in the course of dealing in rough and polished Diamonds; and has been a work of much time, labour, and great expence; I am not a little pleased to see it agree with what I have since found to be mentioned by some celebrated writers, who have exhibited the principle upon which Diamonds are to be valued. The first which fell into my hands was Monsieur *Tavernier*, who mentions it in his *Voy-*  
ages

[ 123 ]

*ages* through *Turkey, Persia,* and the *East-Indies*; which he published in the year 1670, and which were translated into *English* in the year 1678. The next was the memorable Mr. *Lewis Roberts*, who published it in his *map of commerce*, in the year 1638. Some time after, I communicated the principle of valuation I have exhibited in this treatise, to an acquaintance of mine, who was a dealer and a Diamond-cutter, and who had lived many years at *Fort St. George* in that capacity; by whom I was informed, that the *India* traders (meaning the *natives of India*) had some established rule of estimating Diamonds, &c. which he believed to be the same with what I then proposed. At length, several years after the perusal of the above writers, a still more antient one was shewn me by means of a gentleman of  
great

[ 124 ]

great learning, and of great figure in the literary world. This author was *John Arphe de Villa Fane*, who speaks of the principle of valuation in his treatise, entitled, *The Standard of gold, silver, and precious Stones*, published in *Spanish* in the year 1572, by the King of *Spain's* especial licence. These writers have mentioned some attempts to settle rules for the manufacture of Diamonds; but, it is to be observed, that not only what they have delivered is very imperfect, but that when they wrote, the art of making *Brilliant*s was not discovered; which manufacture is essential to the saving of the weight formerly lost, by cutting all rough Diamonds into *tables*, and *roses*; to prevent which loss of weight, as much as possible, a heavy load of substance has been left on both these kinds of manufacture. Moreover, to save

[ 125 ]

save weight, rough Diamonds have been frequently *sawed*, especially such as had no corners, in order to make them into *roses*; but this practice was attended with a much greater expence of workmanship, and withal, a much greater loss of weight, than they have been subject to, since the making of *Brilliant*s has been introduced; this latter manufacture being more suitable to Stones of most shapes.

These observations shew, that if the truth of the manufacture of *Table* and *Rose* Diamonds had been known in times past, which appears not to have been the case, although it might have been of use in preventing the past defective manner of making them, it could not procure the advantages which flow from the addition of the *Brilliant* manufacture, since *that* renders the whole a *compleat system*; and not only contributes to the greatest saving of weight,

weight, but likewise ascertains the general loss of weight, as has been already observed, which could not be known till the manufacture was reduced to settled rules. The want of this, probably, occasioned a disregard of what has been taken notice of by these *authors*, concerning the manufacture, and valuation of Diamonds.

The next thing to be considered is *Pearls*.

Of PEARLS, their Perfections and Imperfections.

THESE Jewels are next in importance to Diamonds, as they constitute the next greatest share of wealth of any other kind. The first thing to be observed concerning them, is,

is, that what beauty they possess, is the mere produce of *nature*; and that they are not susceptible of any advantages or helps *by art*; a circumstance which recommends them to the esteem of the world. Those of the finest shape are perfectly *round*, which fits them for necklaces, bracelets, jewels for the hair, and other such like uses. But if a Pearl, of any considerable size, be of the *shape of a Pear*, it is not reckoned an imperfection, because it may be suitable for drops to ear-rings, solitaires, and many other jewels. Their complexion must be *milk white*, not of a dead and lifeless, but of a clear and lively hue, free from stains, fowls, spots, specks, or roughness; such are of the *highest* esteem and value.

Pearls are *defective* when rough, spotted, or dull; whether that be owing to any miscarriage of nature, or to age,

[ 128 ]

age, to wear, or any other accident: When irregular in their shapes, be they flat or hollow, craggy or gibbous: When they are stained with any *colour*, as yellow, blue, green, red, brown, or that of a dusky iron. It is also an imperfection, when they have large drilled holes, or are rubbed flat about the edges of the holes by long use. These defects cause a very considerable difference in *the value* of Pearls of the same weight and size.

*Of the RULE of valuing PEARLS.*

**T**HE only rule of valuing them, is by the square of their weight, as in the case of Diamonds; nature producing them after the same manner, *viz.* a vast number of small ones, and

[ 129 ]

and progressively, a less number of larger, as they increase in size and weight. Upon this principle two *tables* are formed, of the *prices* of Pearls. The first eight contain those of a carat weight *downwards*, of eight different values, which will be found in Plates XVII, XVIII, XIX, XX, XXI, XXII, XXIII, XXIV. The first being explained, it serves for the other seven. The first column contains the *number* of Pearls in an ounce Troy, from those of a carat weight, to such as weigh but the 32d part of a carat. The second column contains the progressive decrease of their *weight*, from those of one carat, to those of the 32d part of a carat. The third contains their several *prices*, from one carat at 2 s. to those of the  $\frac{1}{32}$ th part of a penny. The fourth contains the price of an ounce, at the rate of 2 s. *per* carat, and

K

which

[ 130 ]

which makes 15*l.* to that of the smallest size, which is 9*s.* 4*d.*  $\frac{1}{2}$ .

The next thing to be taken notice of, is a Table that relates to Pearls of a carat weight, and *upwards*, to an hundred carats, which will be found in Plates XXV, XXVI, XXVII, XXVIII, XXIX, XXX. The prices of Pearls in this Table, are founded upon the supposition, that the general price of Pearls, good and bad blended together, is 8*s.* *per* carat; which will be found to be the first article in it. This Table, therefore, will be of the same use with regard to PEARLS, as the Diamond-Table is in regard to *Diamonds*. For, if any Pearl *exceeds* in quality, or *falls short* of, those of the middle sort; the rise, or fall, upon the price of a Pearl of any weight must be so much *per cent.* as judgment shall direct; which prevents all trouble

[ 131 ]

ble of finding it out by the rule. To shew the convenience of this Table, the following example may be given. If the value of a Pearl of 4 carats  $\frac{7}{8}$  is required, which may be supposed to be 10 *per cent.* better than one of the mean or middle price, its price will be found, by the Table, to be 9*l.* 10*s.* 1*d.*  $\frac{1}{2}$ . Then 19*s.* is to be added, which is the produce of the 10 *per cent.* and makes its value to be 10*l.* 9*s.* 1*d.*  $\frac{1}{2}$ .

To find out the first price by the rule, reduce the 4 carats  $\frac{7}{8}$  into eighths, which makes 39; then multiply 39 by 39, that makes 1521, the square of the weight in sixteenths; therefore divide 1521 by 16, that brings it again into grains, and makes 95; then divide the 95 by 4, that brings it to carats, and makes 23 carats,



[ 132 ]

3 grains, and  $\frac{1}{16}$  of a grain; which, at 8s. *per carat*, produces 9l. 10s. 1d.  $\frac{1}{2}$ .

And as another method is introduced for finding out the value of Diamonds, which is as applicable to Pearls, the foregoing weight is made use of as an example.

For instance; see what a Pearl of 4 carats  $\frac{7}{8}$  comes to at 8s. *per carat*, which will be found to be 39s. so multiply 39 by 4, that makes 156s. or 7l. 16s. then add the value of  $\frac{7}{8}$  of 39s. which is 1l. 14s. 1d.  $\frac{1}{2}$ ; cast up the two sums, and that will produce 9l. 10s. 1d.  $\frac{1}{2}$ : So these two totals are alike, and agree in price with one of that weight in the Table; and that being the price of one of the middle sort, the value of the 10 *per cent.* must be added, which is 19s. so the value of such a Pearl is 10l. 9s. 1d.  $\frac{1}{2}$ .

These

[ 133 ]

These instances are supposed sufficient to shew, how much readier the value of any single Pearl is to be found, by making use of the Table; the usefulness of which will appear in a stronger light, when it is considered, what number of occasions Pearls furnish by their multiplicity, and likewise the small value they are of individually; although not so, regarding their quantity. *N. B.* Their value compared with Diamonds is but as 8s. to 8l.

As an application to the Table appears to be by far the readiest way of coming at the value of any single Pearl, its farther usefulness will be shewn in valuing any parcels of Pearl.

For instance; suppose a parcel of Pearls (be their number and weight what they may) and various, in respect to their qualities, or goodness;

K 3

first,

[ 134 ]

first, weigh the parcel all together ; when the weight is known, count their number ; when that is known, see what the weight would be *per* piece, if they were all of one weight, and then endeavour to form a judgment what they may be rated at *per* carat, as a mixed Parcel : Having settled that, see what a Pearl is worth, of the weight you found they would be of if they were all of equal weight or size, and then value the weight of the whole Parcel by the price of that Pearl, and that will give the value of the whole Parcel. To illustrate this, suppose 9 Pearls of 9 several weights, which may be of different qualities or goodnes, but being blended together they may be reckoned worth 8s. *per* carat. As this supposed price agrees with the Table, the example will be drawn from thence, and will begin

[ 135 ]

begin with the first article therein, as underneath.

	Carats	£.	s.	d.
1st - - of	1 0 0 0 - -	0	08	0 0
2d - - -	1 0 0 $\frac{1}{8}$ - -	0	10	1 $\frac{1}{2}$
3d - - -	1 0 $\frac{1}{4}$ 0 - -	0	12	6 0
4th - - -	1 0 $\frac{1}{4}$ $\frac{1}{8}$ - -	0	15	1 $\frac{1}{2}$
5th - - -	1 $\frac{1}{2}$ 0 0 - -	0	18	0 0
6th - - -	1 $\frac{1}{2}$ 0 $\frac{1}{8}$ - -	1	01	1 $\frac{1}{2}$
7th - - -	1 $\frac{1}{2}$ $\frac{1}{4}$ 0 - -	1	04	6 0
8th - - -	1 $\frac{1}{2}$ $\frac{1}{4}$ $\frac{1}{8}$ - -	1	08	1 $\frac{1}{2}$
9th - - -	2 0 0 0 - -	1	12	0 0

The 9 weigh 13  $\frac{1}{2}$  and come to £.8 09 6 0

The above 9 Pearls weighing 13 carats  $\frac{1}{2}$ , would make the weight of each 1 carat  $\frac{1}{2}$ , the price of which in the Table is 18s. therefore multiply 18s. by 9, the number of the Pearls, that makes 162s. or 8l. 2s.

The value, rating them by their several weights, as above, makes the

K 4                      total

[ 136 ]

total 8*l.* 9*s.* 6*d.* which is 7*s.* 6*d.* more than by the other method of valuing them; and this arises from the loss of fractions in that case; and although that be something in this sum, it is not worth regard in a larger sum, which will be the same when Pearls are rated at 8*s.* per carat: And for farther satisfaction the following case is inserted.

	Carats	£.	s.	d.
1st - - of	6 0 0 0 - -	14	08	0 0
2d - - -	6 0 0 $\frac{1}{8}$ - -	15	00	1 $\frac{1}{2}$
3d - - -	6 0 $\frac{1}{4}$ 0 - -	15	12	6 0
4th - - -	6 0 $\frac{1}{4}$ $\frac{1}{8}$ - -	16	05	1 $\frac{1}{2}$
5th - - -	6 $\frac{1}{2}$ 0 0 - -	16	18	0 0
6th - - -	6 $\frac{1}{2}$ 0 $\frac{1}{8}$ - -	17	11	1 $\frac{1}{2}$
7th - - -	6 $\frac{1}{2}$ $\frac{1}{4}$ 0 - -	18	04	6 0
8th - - -	6 $\frac{1}{2}$ $\frac{1}{4}$ $\frac{1}{8}$ - -	18	18	1 $\frac{1}{2}$
9th - - -	7 0 0 0 - -	19	09	6 0
The 9 weigh 58 $\frac{1}{2}$		£. 152 09 6 0		

The

[ 137 ]

The above 9 Pearls weighing 58 carats  $\frac{1}{2}$ , would make the weight of each 6 carat  $\frac{1}{2}$ , the price of which in the Table is 16*l.* 18*s.* First, multiply 9 by 16*l.* that makes 144*l.* next, multiply 9 by 18*s.* that makes 8*l.* 2*s.* add these two sums together, the total will be 152*l.* 2*s.* which is 7*s.* 6*d.* short of the above sum of 152*l.* 9*s.* 6*d.* But if the number of articles had been more, and the price of any parcel of Pearl should be higher, it can but little increase the difference; and therefore it is not worth regarding, more especially when it is considered, that none can judge the value of any one Pearl, or parcel, to any such-like nicety. As to what has been said of the convenience of this Table, the same might have been said of the Diamond-Table; but as there seemed not to be the like necessity for it, in regard to  
Diamonds,

[ 138 ]

Diamonds, it has hitherto been omitted, and the rather, to avoid repetition.

As the convenience of this Table is evidently shewn, it may be proper to observe, that in making use of that, or either of the other methods, for finding the value of Pearl, the highest price of any Pearl of a carat weight, cannot be valued at more than 16s. when the price of the middle sort, of that weight, is valued at 8s. nor those of the lower sort, of a carat, at less than 2s. because all of a baser sort deserve not to be considered as jewels. And this, probably, will be thought scope enough to employ speculation and judgment; notwithstanding which, it is to be supposed, that all who are skilful will agree in sentiments concerning the value of any Pearl of a carat weight, however circumstanced,

as

[ 139 ]

as nearly as in the case of Diamonds, as the value of Pearls of any weight is to be determined by the price of one of a carat weight, similar in all circumstances. Or, as was said of Diamonds, the same may be said of Pearls, that every Pearl is to be valued as it is worth *per carat*, by the rule of estimating.

*N. B.* It is to be observed, that what is supposed of judicious jewellers agreeing in their sentiments to Five or Ten *per cent.* concerning the value of any Diamond or Pearl of one carat weight, by which the value of a Diamond or Pearl of any weight is to be determined, is to be understood to relate to the natural and just value of them only; and when there is a compliance with any other price, that must be considered as the occasional price; and if persons who buy for their use, could

be

[ 140 ]

be assured what is the just price of any jewel, it would be the means of influencing them to give the value of them. And this must necessarily facilitate the transactions of this business; and, I am humbly of opinion, if this had been the case in times past, many capital jewels, which have lain many years in the hands of persons who bought them in order to make profit of the money laid out, would have found purchasers of them long ago, to the advantage of their present owners.

As so much depends on traders being masters of the most compleat knowledge of this business, it must be supposed they will not be wanting in improving themselves therein by all means that may be procured, as it will render them a beneficial body to the rest of mankind, and of course raise their

[ 141 ]

their characters, which have heretofore lain under disagreeable imputations.

Here it may be proper to observe, that whatever knowledge persons may have of the just value of jewels, it will not exempt those who buy them for their own use from sustaining a loss in purchasing them; but it will lessen the losses that might otherwise happen, which the world has heretofore been subject to for want of such knowledge. That losses must be sustained is unquestionable, and that these must vary as circumstances differ, the following cases will evince.

*Observations*

[ 142 ]

*Observations on the Losses supposed to  
be sustained by the Purchase of  
JEWELS.*

**T**HE expence of making some pieces of jewelling work comes to a considerable part of the purchase money; and generally, where there is the least value of Diamonds, the expence is the greatest; as, when a large number of small Diamonds are employed: When such a jewel is re-fold, that expence must be deducted, if it be injured by wear or by accident, or it becomes unfashionable.

Again, jewellers must be supposed to have a considerable sum of money employed in trade, the returns of which are not very frequent; and therefore a loss must unavoidably attend the purchasing Jewels, and the  
greatest

[ 143 ]

greatest in buying large Diamonds, although the expence of setting them be less, on account of their lying much longer in the possession of jewellers than those of the smaller sort; and therefore all jewellers supposing the probability of this, never give so near the value of them as for smaller Stones, they being always more marketable.

As this is the case, persons of rank and fortune, that need not regard any reasonable loss, or the interest of money, are the proper purchasers of jewels; and the money laid out by such persons can no more be deemed luxury in them, than that which is expended in equipping and furnishing side-boards and cabinets, and on all other costly personal equipments in gold and silver. But it may be said, that the latter is more useful and necessary



[ 144 ]

fary than the former. To which it may be answered, that its uses may be supplied at a much cheaper rate; so the appearance and credit must be the remaining motive for laying out money that way; which is the same in respect to jewels: And if the losses attending the purchasing these be an objection, it will be found to lie as strong against the other, in respect to fashionable elegant things, the workmanship of which, upon an average, comes to at least  $\frac{1}{4}$ , if not  $\frac{1}{3}$ , of the purchase money.

The loss by jewels, it is humbly apprehended, will not, in future times, exceed that, although it has been otherwise in times past, as appears by instances that have been given, which shew that not above  $\frac{1}{3}$  or  $\frac{1}{4}$  of the purchase money could be obtained  
for

[ 145 ]

for jewels, either by way of pledge, or sale; which has chiefly arose from jewellers not being well acquainted with the natural and just value of them, which cannot be the case in future time; it being evident, that traders have it in their power to come at their true value, by estimating as they are worth *per carat*, by the rule exhibited. This being the case, any one else may attain the knowledge of the value of any Diamond or Pearl, or parcels thereof, by applying to a skilful jeweller, to know what they may be worth *per carat*.

And this will be the means of preventing any persons selling their jewels on such disadvantageous terms, as have been before taken notice of; since they will rather pledge them, and wait for a more favourable offer; and a better knowledge of their value will procure

L

more

more money lent on them, if occasion requires it, than in times past. And as the skill of traders appears so useful, they must be supposed to be intitled to a suitable reward for giving their opinions in all such cases. These measures will tend to support the worth of Jewels, and render all property of this kind permanent wealth, exclusive of the deductions a little before mentioned, and make them the proper possession of persons of rank and fortune here, as well as in other countries; especially, if the wealth of the nation increases, because all purchases of income must advance, as that augments, and of course bring down the value of money.

For example; if any one should be forced to give three hundred pounds for an income that in time past could be purchased for two hundred pounds,

2 it

it is evident that then three hundred pounds is reduced to the value of two hundred. If this be an evil, the laying out the exuberance of our money in Jewels seems to be the properest redress of it, as they are a durable, though not a profitable, treasure; inasmuch as they may be found of convenience in any time of distress, whether private or publick. The latter, indeed, we have the happiness to have no reason to fear.

What has been observed of the utility of Jewels, Diamonds especially, to persons of dignity, and those of affluent fortunes; and of the conduct of the *India* people in not forcing the sale of them, by lowering their price, but on the contrary withdrawing them, when there appears a slack demand, which is supposed to arise from the great expence they are at in the search of them; for although the price of labour

L 2 in

[ 148 ]

in *India* is excessive cheap, yet the hands that are employed in this work, as Monsieur *Tavernier* and other authors have taken notice of, are so very numerous, that it makes it a costly, and even a precarious undertaking: And considering that, notwithstanding *Europe* has been supplied with Diamonds from thence, and from the *Brazils*, within twenty years last past, abundantly more than in any preceding number of years, yet the amount of the annual value of them, on an average, comes a great deal short of two hundred thousand pounds sterling: And farther considering, that many countries are come more into the use of them of late years than formerly; and that some which in times past were almost strangers to their existence, are now buyers of them, but principally the most indifferent sort; which is a  
beneficial

[ 149 ]

beneficial circumstance, as the taste of other countries, which I need not name, is so much refined: All these circumstances taken into the account, and supposing the *Brazil* mines prove abortive, cannot but abate a suspicion that has been entertained concerning this part of the world's being glutted with Diamonds, which, it is thought by such persons, will in time sink the price of them.

Judging those considerations are sufficient to quell such fears, I shall proceed to shew it is not the case at present, their price of late being advanced (I mean in *Europe* only) and the cause of it is this, that most of the capital Jewels are returned into the possession of their proper owners, which have some years past been in

L. 3

the

the hands of usurers, owing to the great expence that some Princes have been at in the late war ; which the peace has not only enabled them to redeem, but likewise qualified them to become farther purchasers. And this proves the fitness of pledging Jewels rather than selling them below what they ought to fetch, supposing that necessity does not force any there- to ; which is not to be imagined of persons of high rank, or of good estates, as time gives them an oppor- tunity of redeeming any pledges.

---

C O N C L U S I O N.

**T**HIS concludes the important subjects I have been treating of ; and the enlargements that have been  
been

been made to this edition, I flatter myself will be found not only explana- tory of my first publication, but that they will likewise give force to what is therein contained, and which would have been added thereto, had I then seen it to be necessary ; but which I have not been convinced of till lately, and now think the omission of it would be an impediment to my design, which is that of communicating truth and knowledge, beneficial to the pub- lick, and to all ingenious traders, and which is calculated to raise their repu- tations and usefulness, and likewise to promote art in the embellishments of Diamonds, and recover, if possible, the almost lost manufacture of them to this kingdom, that has in time past been possessed of the chief share thereof, and which has carried the improvement of it to the greatest

[ 152 ]

height of any part of the world, and is now as capable of doing so as ever, if permitted; which I hope to see brought about.

The loss of this valuable manufacture, and of the trade resulting therefrom, has been wholly owing to a delusive manner of working them abroad, which enables foreigners to sell Diamonds cheaper by weight than it is possible to afford well wrought ones for. By this means they are become possessed of almost the whole of this manufacture and trade.

And this practice has been much countenanced by some traders in *London*, who have sold for some years past  $\frac{3}{4}$  or more of these foreign wrought Diamonds, to the great discredit of their wearers; which conduct seems to come but little short of an affront on the quality and gentry of this kingdom,

[ 153 ]

dom, and shews a manifest disregard of the interest thereof; which I am sorry to have occasion to take notice of, as well as of some other matters that could not justifiably escape my observation, but which I am satisfied will give no offence to any impartial unprejudiced person; and the new matter in this edition, I doubt not, will meet with the approbation of the judicious, as it must give an additional inforcement to what is contained in the first, and serves to render these important articles of wealth of more established worth than in times past, since their value appears to be determinable by rules founded on reason and truth, which has hitherto been subject to the capricious estimation of unguided judgment. And I am the more encouraged to hope for the countenance of such persons, as my first has received  
that

[ 154 ]

that honour, as well among people of rank and condition, as among traders in jewels ; and I have the satisfaction of knowing it daily gains ground, and am particularly pleased in finding a considerable increase of business within twelve months past, in the best manner of working Diamonds.

And now being no ways conscious of having taken any unwarrantable freedoms in any part of this treatise, but pursued truth, justice and the fitness of things to the best of my knowledge, I shall not trouble my readers with any farther vindication of my conduct. But in respect to any imperfection of stile that may appear in this treatise, I hope the candid part of the world will overlook it, as I make no pretension to any accomplishment in that way ; and all that I have aimed at has been to convey my thoughts in as clear

a

[ 155 ]

a manner as my abilities would enable me to do: And this, I question not, will be accepted as a sufficient apology for any inaccuracy of expression in the book.

*IV. B.* Both the former edition and this are entered in the hall-book of the company of *Stationers*.



The

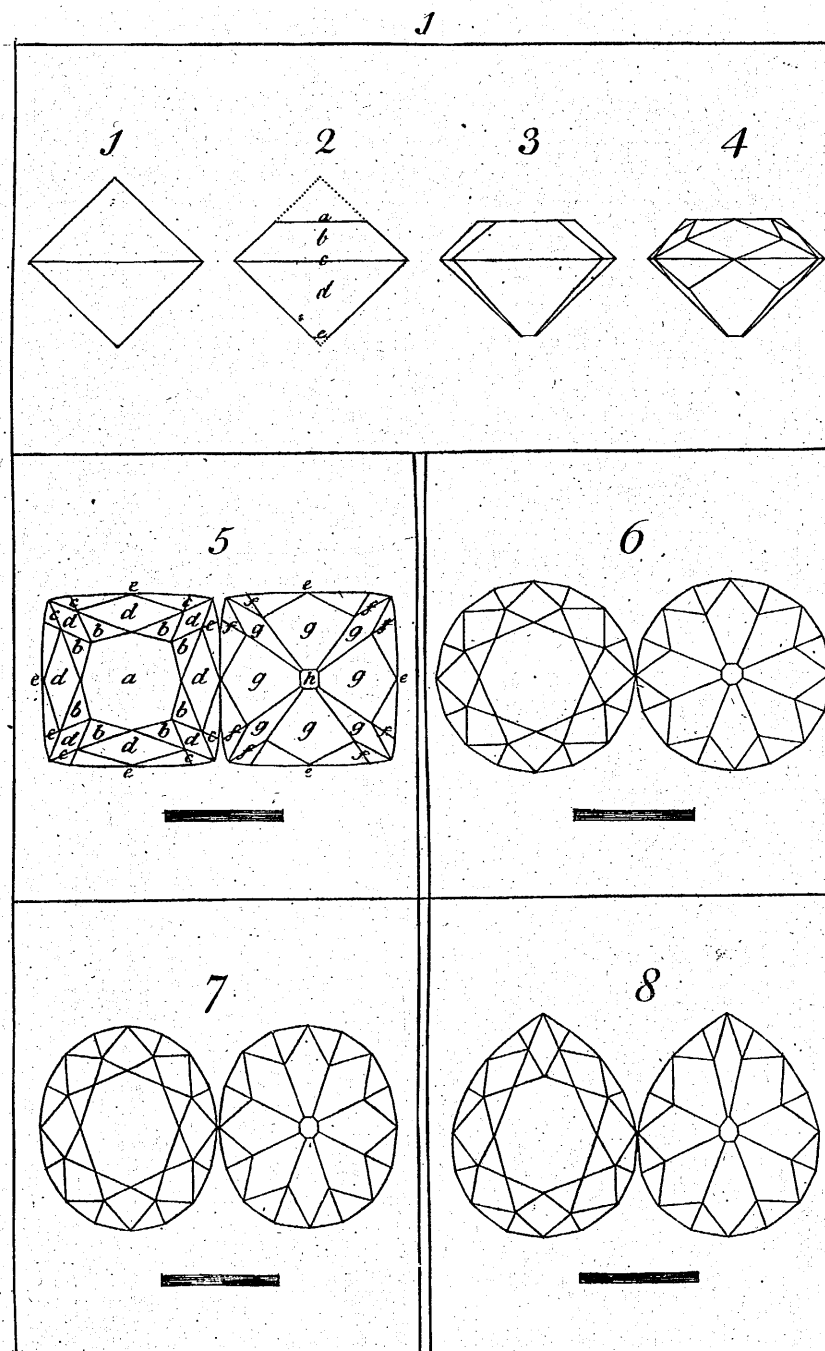


The expence of making full proportioned Brilliant Diamonds.				The expence of making spread Brilliant Diamonds.			
Carats.	Per Carat.			Carats.	Per Carat.		
	£.	s.	d.		£.	s.	d.
1	1	0	0	1	1	5	0
2	1	2	6	2	1	8	1½
3	1	5	0	3	1	11	3
4	1	7	6	4	1	14	4½
5	1	10	0	5	1	17	6
10	2	2	6	10	2	13	1½
15	2	15	0	15	3	8	9
20	3	7	6	20	4	4	4½
25	4	0	0	25	5	0	0
30	4	12	6	30	5	15	7½
35	5	5	0	35	6	11	3
40	5	17	6	40	7	6	10½
45	6	10	0	45	8	2	6
50	7	2	6	50	8	18	1½
55	7	15	0	55	9	13	9
60	8	7	6	60	10	9	4½
65	9	0	0	65	11	5	0
70	9	12	6	70	12	0	7½
75	10	5	0	75	12	16	3
80	10	17	6	80	13	11	10½
85	11	10	0	85	14	7	6
90	12	2	6	90	15	3	1½
95	12	15	0	95	15	18	9
100	13	7	6	100	16	14	4½





























The

The expence of making full proportioned Rose Diamonds.				The expence of making spread Rose Diamonds.			
Carats.	Per Carat.			Carats.	Per Carat.		
	£.	s.	d.		£.	s.	d.
1	0	15	0	1	1	0	0
2	0	16	10½	2	1	2	6
3	0	18	9	3	1	5	0
4	1	0	7½	4	1	7	6
5	1	2	6	5	1	10	0
10	1	11	10½	10	2	2	6
15	2	1	3	15	2	15	0
20	2	10	7½	20	3	7	6
25	3	0	0	25	4	0	0
30	3	9	4½	30	4	12	6
35	3	18	9	35	5	5	0
40	4	8	1½	40	5	17	6
45	4	17	6	45	6	10	0
50	5	6	10½	50	7	2	6
55	5	16	3	55	7	15	0
60	6	5	7½	60	8	7	6
65	6	15	0	65	9	0	0
70	7	4	4½	70	9	12	6
75	7	13	9	75	10	5	0
80	8	3	1½	80	10	17	6
85	8	12	6	85	11	10	0
90	9	1	10½	90	12	2	6
95	9	11	3	95	12	15	0
100	10	10	7½	100	13	7	6

F I N I S.



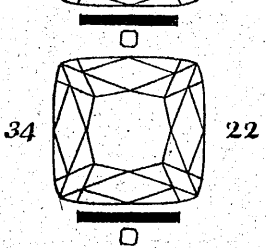
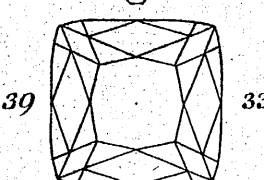
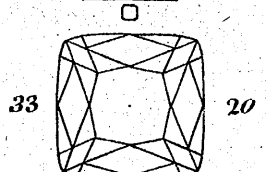
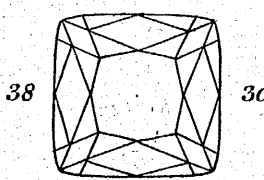
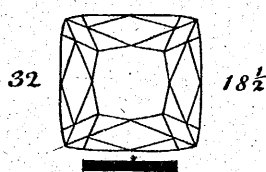
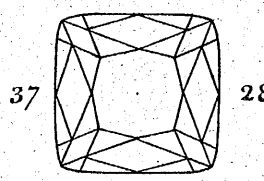
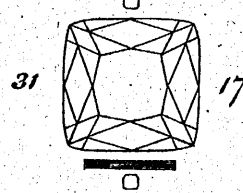
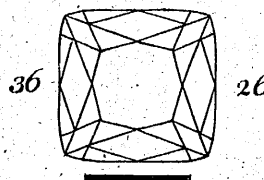
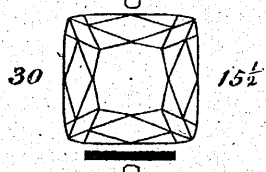
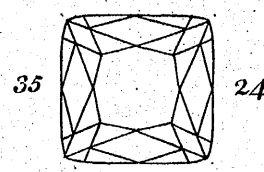
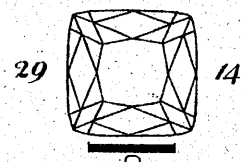
*The Size of Brilliant Diamonds.*

<i>Number Weight</i>	<i>Number Weight</i>	<i>Number Weight</i>
1  1	13  3 $\frac{3}{4}$	22  7
2  1 $\frac{1}{8}$	14  4	23  7 $\frac{1}{2}$
3  1 $\frac{1}{4}$	15  4 $\frac{1}{4}$	24  8
4  1 $\frac{1}{2}$	16  4 $\frac{1}{2}$	25  9
5  1 $\frac{3}{4}$	17  4 $\frac{3}{4}$	26  10
6  2	18  5	27  11
7  2 $\frac{1}{4}$	19  5 $\frac{1}{2}$	28  12 $\frac{1}{2}$
8  2 $\frac{1}{2}$	20  6	
9  2 $\frac{3}{4}$	21  6 $\frac{1}{2}$	
10  3		
11  3 $\frac{1}{4}$		
12  3 $\frac{1}{2}$		

*Brilliant Diamonds.*

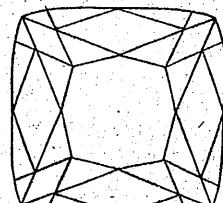
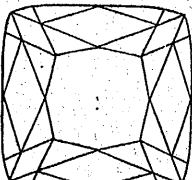
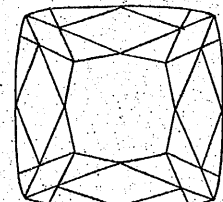
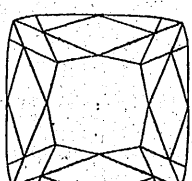
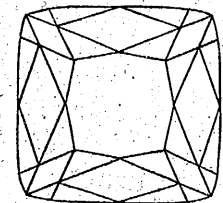
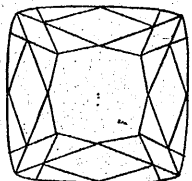
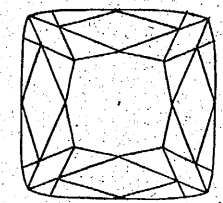
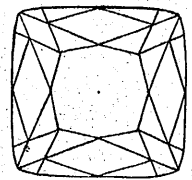
*Number Weight*

*Number Weight*



*Brilliant Diamonds.*

<i>Number</i>	<i>Weight</i>	<i>Number</i>	<i>Weight</i>
40	36	44	50
41	39	45	54
42	42	46	58
43	46	47	62

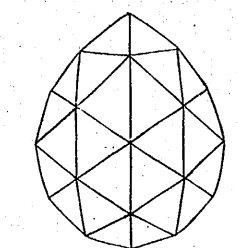
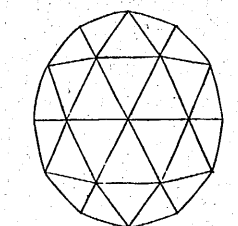
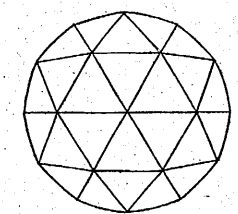
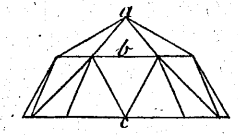
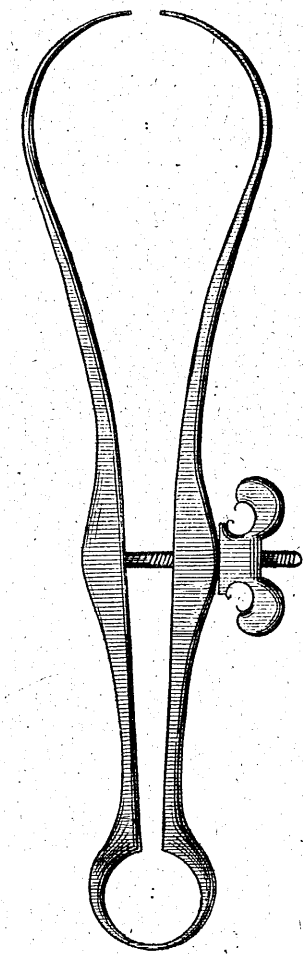


*Brilliant Diamonds.*











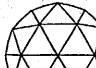




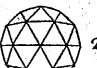












<i>N.<sup>o</sup></i>	<i>W.<sup>o</sup></i>	<i>N.<sup>o</sup></i>	<i>W.<sup>o</sup></i>
48	66	52	85
49	70	53	90
50	75	54	95
51	80	55	100



6



### The Sizes of Rose Diamonds.

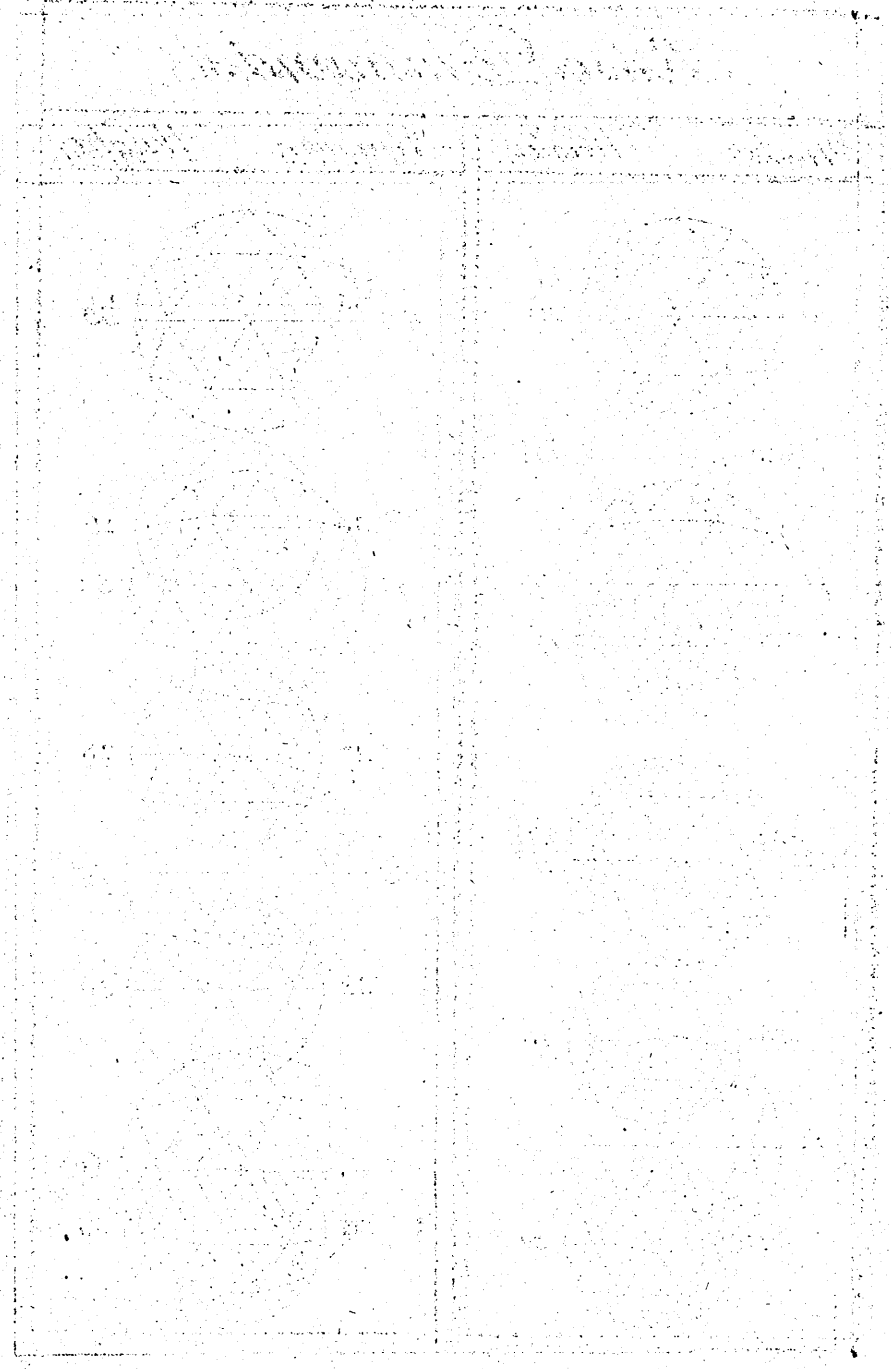
Number-Weight	Number-Weight	Number-Weight
1  1	13  3 $\frac{3}{4}$	22  7
2  1 $\frac{1}{8}$	14  4	23  7 $\frac{1}{2}$
3  1 $\frac{1}{4}$	15  4 $\frac{1}{4}$	24  8
4  1 $\frac{1}{2}$	16  4 $\frac{1}{2}$	25  9
5  1 $\frac{3}{4}$	17  4 $\frac{3}{4}$	26  10
6  2	18  5	27  11
7  2 $\frac{1}{4}$	19  5 $\frac{1}{2}$	28  12 $\frac{1}{2}$
8  2 $\frac{1}{2}$	20  6	
9  2 $\frac{3}{4}$	21  6 $\frac{1}{2}$	
10  3		
11  3 $\frac{1}{4}$		
12  3 $\frac{1}{2}$		

*Rose Diamonds.*

<i>Number</i>	<i>Weight</i>	<i>Number</i>	<i>Weight</i>
29	14	35	24
30	15½	36	26
31	17	37	28
32	18½	38	30
33	20	39	33
34	22		

Rose Diamonds.

<i>Number</i>	<i>Weight</i>	<i>Number</i>	<i>Weight</i>
40	36	44	50
41	39	45	54
42	42	46	58
43	46	47	62



Rose Diamonds.

<i>N<sup>o</sup></i>	<i>W. t</i>	<i>N<sup>o</sup></i>	<i>W. t</i>
48.	66	52	85
49	70	53	90
50	75	54	95
51	80	55	100

*The Tables of Diamonds.*

<i>W<sup>t</sup></i>	<i>Price</i>	<i>W<sup>t</sup></i>	<i>Price</i>	<i>W<sup>t</sup></i>	<i>Price</i>
<i>C<sup>r</sup></i>	<i>£ s d</i>	<i>C<sup>r</sup></i>	<i>£ s d</i>	<i>C<sup>r</sup></i>	<i>£ s d</i>
1	8:0:0	3 <sup>5</sup> / <sub>8</sub>	105:2:6	6 <sup>1</sup> / <sub>4</sub>	312:10:0
1 <sup>1</sup> / <sub>8</sub>	10:2:6	3 <sup>3</sup> / <sub>4</sub>	112:10:0	6 <sup>3</sup> / <sub>8</sub>	325:2:6
1 <sup>1</sup> / <sub>4</sub>	12:10:0	3 <sup>7</sup> / <sub>8</sub>	120:2:6	6 <sup>1</sup> / <sub>2</sub>	338:0:0
1 <sup>3</sup> / <sub>8</sub>	15:2:6	4	128:0:0	6 <sup>5</sup> / <sub>8</sub>	351:2:6
1 <sup>1</sup> / <sub>2</sub>	18:0:0	4 <sup>1</sup> / <sub>8</sub>	136:2:6	6 <sup>3</sup> / <sub>4</sub>	364:10:0
1 <sup>5</sup> / <sub>8</sub>	21:2:6	4 <sup>1</sup> / <sub>4</sub>	144:10:0	6 <sup>7</sup> / <sub>8</sub>	378:2:6
1 <sup>3</sup> / <sub>4</sub>	24:10:0	4 <sup>3</sup> / <sub>8</sub>	153:2:6	7	392:0:0
1 <sup>7</sup> / <sub>8</sub>	28:2:6	4 <sup>1</sup> / <sub>2</sub>	162:0:0	7 <sup>1</sup> / <sub>8</sub>	406:2:6
2	32:0:0	4 <sup>5</sup> / <sub>8</sub>	171:2:6	7 <sup>1</sup> / <sub>4</sub>	420:10:0
2 <sup>1</sup> / <sub>8</sub>	36:2:6	4 <sup>3</sup> / <sub>4</sub>	180:10:0	7 <sup>3</sup> / <sub>8</sub>	435:2:6
2 <sup>1</sup> / <sub>4</sub>	40:10:0	4 <sup>7</sup> / <sub>8</sub>	190:2:6	7 <sup>1</sup> / <sub>2</sub>	450:0:0
2 <sup>3</sup> / <sub>8</sub>	45:2:6	5	200:0:0	7 <sup>5</sup> / <sub>8</sub>	465:2:6
2 <sup>1</sup> / <sub>2</sub>	50:0:0	5 <sup>1</sup> / <sub>8</sub>	210:2:6	7 <sup>3</sup> / <sub>4</sub>	480:10:0
2 <sup>5</sup> / <sub>8</sub>	55:2:6	5 <sup>1</sup> / <sub>4</sub>	220:10:0	7 <sup>7</sup> / <sub>8</sub>	496:2:6
2 <sup>3</sup> / <sub>4</sub>	60:10:0	5 <sup>3</sup> / <sub>8</sub>	231:2:6	8	512:0:0
2 <sup>7</sup> / <sub>8</sub>	66:2:6	5 <sup>1</sup> / <sub>2</sub>	242:0:0	8 <sup>1</sup> / <sub>8</sub>	528:2:6
3	72:0:0	5 <sup>5</sup> / <sub>8</sub>	253:2:6	8 <sup>1</sup> / <sub>4</sub>	544:10:0
3 <sup>1</sup> / <sub>8</sub>	78:2:6	5 <sup>3</sup> / <sub>4</sub>	264:10:0	8 <sup>3</sup> / <sub>8</sub>	561:2:6
3 <sup>1</sup> / <sub>4</sub>	84:10:0	5 <sup>7</sup> / <sub>8</sub>	276:2:6	8 <sup>1</sup> / <sub>2</sub>	578:0:0
3 <sup>3</sup> / <sub>8</sub>	91:2:6	6	288:0:0	8 <sup>5</sup> / <sub>8</sub>	595:2:6
3 <sup>1</sup> / <sub>2</sub>	98:0:0	6 <sup>1</sup> / <sub>8</sub>	300:2:6	8 <sup>3</sup> / <sub>4</sub>	612:10:0



*Diamonds continued*

<i>W<sup>t</sup></i>	<i>Price</i>	<i>W<sup>t</sup></i>	<i>Price</i>	<i>W<sup>t</sup></i>	<i>Price</i>
<i>C.<sup>r</sup></i>	<i>£ s d</i>	<i>C.<sup>r</sup></i>	<i>£ s d</i>	<i>C.<sup>r</sup></i>	<i>£ s d</i>
$8\frac{7}{8}$	630:2:6	$11\frac{1}{2}$	1058:0:0	$14\frac{1}{8}$	1596:2:6
9	648:0:0	$11\frac{5}{8}$	1081:2:6	$14\frac{1}{4}$	1624:10:0
$9\frac{1}{8}$	666:2:6	$11\frac{3}{4}$	1104:10:0	$14\frac{3}{8}$	1653:2:6
$9\frac{1}{4}$	684:10:0	$11\frac{7}{8}$	1128:2:6	$14\frac{1}{2}$	1682:0:0
$9\frac{3}{8}$	703:2:6	12	1152:0:0	$14\frac{5}{8}$	1711:2:6
$9\frac{1}{2}$	722:0:0	$12\frac{1}{8}$	1176:2:6	$14\frac{3}{4}$	1740:10:0
$9\frac{5}{8}$	741:2:6	$12\frac{1}{4}$	1200:10:0	$14\frac{7}{8}$	1770:2:6
$9\frac{3}{4}$	760:10:0	$12\frac{3}{8}$	1225:2:6	15	1800:0:0
$9\frac{7}{8}$	780:2:6	$12\frac{1}{2}$	1250:0:0	$15\frac{1}{8}$	1830:2:6
10	800:0:0	$12\frac{5}{8}$	1275:2:6	$15\frac{1}{4}$	1860:10:0
$10\frac{1}{8}$	820:2:6	$12\frac{3}{4}$	1300:10:0	$15\frac{3}{8}$	1891:2:6
$10\frac{1}{4}$	840:10:0	$12\frac{7}{8}$	1326:2:6	$15\frac{1}{2}$	1922:0:0
$10\frac{3}{8}$	861:2:6	13	1352:0:0	$15\frac{5}{8}$	1953:2:6
$10\frac{1}{2}$	882:0:0	$13\frac{1}{8}$	1378:2:6	$15\frac{3}{4}$	1984:10:0
$10\frac{5}{8}$	903:2:6	$13\frac{1}{4}$	1404:10:0	$15\frac{7}{8}$	2016:2:6
$10\frac{3}{4}$	924:10:0	$13\frac{3}{8}$	1431:2:6	16	2048:0:0
$10\frac{7}{8}$	946:2:6	$13\frac{1}{2}$	1458:0:0	$16\frac{1}{8}$	2080:2:6
11	968:0:0	$13\frac{5}{8}$	1485:2:6	$16\frac{1}{4}$	2112:10:0
$11\frac{1}{8}$	990:2:6	$13\frac{3}{4}$	1512:10:0	$16\frac{3}{8}$	2145:2:6
$11\frac{1}{4}$	1012:10:0	$13\frac{7}{8}$	1540:2:6	$16\frac{1}{2}$	2178:0:0
$11\frac{3}{8}$	1035:2:6	14	1568:0:0	$16\frac{5}{8}$	2211:2:6

*Diamonds continued*

<i>W.<sup>t</sup></i>	<i>Price</i>	<i>W.<sup>t</sup></i>	<i>Price</i>	<i>W.<sup>t</sup></i>	<i>Price</i>
<i>C.<sup>r</sup></i>	<i>£ s d</i>	<i>C.<sup>r</sup></i>	<i>£ s d</i>	<i>C.<sup>r</sup></i>	<i>£ s d</i>
16 $\frac{3}{4}$	2244:10:0	19 $\frac{3}{8}$	3003:2:6	22	3872:0:0
16 $\frac{7}{8}$	2278:2:6	19 $\frac{1}{2}$	3042:0:0	22 $\frac{1}{8}$	3916:2:6
17	2312:0:0	19 $\frac{5}{8}$	3081:2:6	22 $\frac{1}{4}$	3960:10:0
17 $\frac{1}{8}$	2346:2:6	19 $\frac{3}{4}$	3120:10:0	22 $\frac{3}{8}$	4005:2:6
17 $\frac{1}{4}$	2380:10:0	19 $\frac{7}{8}$	3160:2:6	22 $\frac{1}{2}$	4050:0:0
17 $\frac{3}{8}$	2415:2:6	20	3200:0:0	22 $\frac{5}{8}$	4095:2:6
17 $\frac{1}{2}$	2450:0:0	20 $\frac{1}{8}$	3240:2:6	22 $\frac{3}{4}$	4140:10:0
17 $\frac{5}{8}$	2485:2:6	20 $\frac{1}{4}$	3280:10:0	22 $\frac{7}{8}$	4186:2:6
17 $\frac{3}{4}$	2520:10:0	20 $\frac{3}{8}$	3321:2:6	23	4232:0:0
17 $\frac{7}{8}$	2556:2:6	20 $\frac{1}{2}$	3362:0:0	23 $\frac{1}{8}$	4278:2:6
18	2592:0:0	20 $\frac{5}{8}$	3403:2:6	23 $\frac{1}{4}$	4324:10:0
18 $\frac{1}{8}$	2628:2:6	20 $\frac{3}{4}$	3444:10:0	23 $\frac{3}{8}$	4371:2:6
18 $\frac{1}{4}$	2664:10:0	20 $\frac{7}{8}$	3486:2:6	23 $\frac{1}{2}$	4418:0:0
18 $\frac{3}{8}$	2701:2:6	21	3528:0:0	23 $\frac{5}{8}$	4465:2:6
18 $\frac{1}{2}$	2738:0:0	21 $\frac{1}{8}$	3570:2:6	23 $\frac{3}{4}$	4512:10:0
18 $\frac{5}{8}$	2775:2:6	21 $\frac{1}{4}$	3612:10:0	23 $\frac{7}{8}$	4560:2:6
18 $\frac{3}{4}$	2812:10:0	21 $\frac{3}{8}$	3655:2:6	24	4608:0:0
18 $\frac{7}{8}$	2850:2:6	21 $\frac{1}{2}$	3698:0:0	24 $\frac{1}{8}$	4656:2:6
19	2888:0:0	21 $\frac{5}{8}$	3741:2:6	24 $\frac{1}{4}$	4704:10:0
19 $\frac{1}{8}$	2926:2:6	21 $\frac{3}{4}$	3784:10:0	24 $\frac{3}{8}$	4753:2:6
19 $\frac{1}{4}$	2964:10:0	21 $\frac{7}{8}$	3828:2:6	24 $\frac{1}{2}$	4802:0:0

*Diamonds continued.*

<i>W.<sup>t</sup></i>	<i>Price</i>	<i>W.<sup>t</sup></i>	<i>Price</i>	<i>W.<sup>t</sup></i>	<i>Price</i>
<i>C.<sup>r</sup></i>	<i>£ s d</i>	<i>C.<sup>r</sup></i>	<i>£ s</i>	<i>C.<sup>r</sup></i>	<i>£ s</i>
24 <sup>3</sup> / <sub>8</sub>	4851:2:6	29 <sup>1</sup> / <sub>2</sub>	6962:0	34 <sup>3</sup> / <sub>4</sub>	9660:10
24 <sup>3</sup> / <sub>4</sub>	4900:10:0	29 <sup>3</sup> / <sub>4</sub>	7080:10	35	9800:0
24 <sup>7</sup> / <sub>8</sub>	4950:2:6	30	7200:0	35 <sup>1</sup> / <sub>4</sub>	9940:10
25	5000:0:0	30 <sup>1</sup> / <sub>4</sub>	7320:10	35 <sup>1</sup> / <sub>2</sub>	10082:0
25 <sup>1</sup> / <sub>4</sub>	5100:10:0	30 <sup>1</sup> / <sub>2</sub>	7442:0	35 <sup>3</sup> / <sub>4</sub>	10224:10
25 <sup>1</sup> / <sub>2</sub>	5202:0:0	30 <sup>3</sup> / <sub>4</sub>	7564:10	36	10368:0
25 <sup>3</sup> / <sub>4</sub>	5304:10:0	31	7688:0	36 <sup>1</sup> / <sub>4</sub>	10512:10
26	5408:0:0	31 <sup>1</sup> / <sub>4</sub>	7812:10	36 <sup>1</sup> / <sub>2</sub>	10658:0
26 <sup>1</sup> / <sub>4</sub>	5512:10:0	31 <sup>1</sup> / <sub>2</sub>	7938:0	36 <sup>3</sup> / <sub>4</sub>	10804:10
26 <sup>1</sup> / <sub>2</sub>	5618:0:0	31 <sup>3</sup> / <sub>4</sub>	8064:10	37	10952:0
26 <sup>3</sup> / <sub>4</sub>	5724:10:0	32	8192:0	37 <sup>1</sup> / <sub>4</sub>	11100:10
27	5832:0:0	32 <sup>1</sup> / <sub>4</sub>	8320:10	37 <sup>1</sup> / <sub>2</sub>	11250:0
27 <sup>1</sup> / <sub>4</sub>	5940:10:0	32 <sup>1</sup> / <sub>2</sub>	8450:0	37 <sup>3</sup> / <sub>4</sub>	11400:10
27 <sup>1</sup> / <sub>2</sub>	6050:0:0	32 <sup>3</sup> / <sub>4</sub>	8580:10	38	11552:0
27 <sup>3</sup> / <sub>4</sub>	6160:10:0	33	8712:0	38 <sup>1</sup> / <sub>4</sub>	11702:10
28	6272:0:0	33 <sup>1</sup> / <sub>4</sub>	8844:10	38 <sup>1</sup> / <sub>2</sub>	11858:0
28 <sup>1</sup> / <sub>4</sub>	6384:10:0	33 <sup>1</sup> / <sub>2</sub>	8978:0	38 <sup>3</sup> / <sub>4</sub>	12012:10
28 <sup>1</sup> / <sub>2</sub>	6498:0:0	33 <sup>3</sup> / <sub>4</sub>	9112:10	39	12168:0
28 <sup>3</sup> / <sub>4</sub>	6612:10:0	34	9248:0	39 <sup>1</sup> / <sub>4</sub>	12324:10
29	6728:0:0	34 <sup>1</sup> / <sub>4</sub>	9384:10	39 <sup>1</sup> / <sub>2</sub>	12482:0
29 <sup>1</sup> / <sub>4</sub>	6844:10:0	34 <sup>1</sup> / <sub>2</sub>	9522:0	39 <sup>3</sup> / <sub>4</sub>	12640:10

*Diamonds continued*

<i>W<sup>t</sup></i>	<i>Price</i>	<i>W<sup>t</sup></i>	<i>Price</i>	<i>W<sup>t</sup></i>	<i>Price</i>
<i>C.<sup>r</sup></i>	<i>£ s</i>	<i>C.<sup>r</sup></i>	<i>£ s</i>	<i>C.<sup>r</sup></i>	<i>£</i>
40	12800:0	45 $\frac{1}{4}$	16380:10	51	20808
40 $\frac{1}{4}$	12960:10	45 $\frac{1}{2}$	16562:0	51 $\frac{1}{2}$	21218
40 $\frac{1}{2}$	13122:0	45 $\frac{3}{4}$	16744:10	52	21632
40 $\frac{3}{4}$	13284:10	46	16928:0	52 $\frac{1}{2}$	22050
41	13448:0	46 $\frac{1}{4}$	17112:10	53	22472
41 $\frac{1}{4}$	13612:10	46 $\frac{1}{2}$	17298:0	53 $\frac{1}{2}$	22898
41 $\frac{1}{2}$	13778:0	46 $\frac{3}{4}$	17484:10	54	23328
41 $\frac{3}{4}$	13944:10	47	17672:0	54 $\frac{1}{2}$	23762
42	14112:0	47 $\frac{1}{4}$	17860:10	55	24200
42 $\frac{1}{4}$	14280:10	47 $\frac{1}{2}$	18050:0	55 $\frac{1}{2}$	24642
42 $\frac{1}{2}$	14450:0	47 $\frac{3}{4}$	18240:10	56	25088
42 $\frac{3}{4}$	14620:10	48	18432:0	56 $\frac{1}{2}$	25538
43	14792:0	48 $\frac{1}{4}$	18624:10	57	25992
43 $\frac{1}{4}$	14964:10	48 $\frac{1}{2}$	18818:0	57 $\frac{1}{2}$	26450
43 $\frac{1}{2}$	15138:0	48 $\frac{3}{4}$	19012:10	58	26912
43 $\frac{3}{4}$	15312:10	49	19208:0	58 $\frac{1}{2}$	27378
44	15488:0	49 $\frac{1}{4}$	19404:10	59	27848
44 $\frac{1}{4}$	15664:10	49 $\frac{1}{2}$	19602:0	59 $\frac{1}{2}$	28322
44 $\frac{1}{2}$	15842:0	49 $\frac{3}{4}$	19800:10	60	28800
44 $\frac{3}{4}$	16020:10	50	20000:0	60 $\frac{1}{2}$	29282
45	16200:0	50 $\frac{1}{2}$	20402:0	61	29768

*Diamonds continued*

<i>N<sup>o</sup></i>	<i>Price</i>	<i>N<sup>o</sup></i>	<i>Price</i>	<i>N<sup>o</sup></i>	<i>Price</i>
<i>C<sup>r</sup></i>	<i>£</i>	<i>C<sup>r</sup></i>	<i>£</i>	<i>C<sup>r</sup></i>	<i>£</i>
61½	30258	72	41472	90	64800
62	30752	72½	42050	91	66248
62½	31250	73	42632	92	67712
63	31752	73½	43218	93	69192
63½	32258	74	43808	94	70688
64	32768	74½	44402	95	72200
64½	33282	75	45000	96	73728
65	33800	76	46208	97	75272
65½	34322	77	47432	98	76832
66	34848	78	48672	99	78408
66½	35378	79	49928	100	80000
67	35912	80	51200		
67½	36450	81	52488		
68	36992	82	53792		
68½	37538	83	55112		
69	38088	84	56448		
69½	38642	85	57800		
70	39200	86	59168		
70½	39762	87	60552		
71	40328	88	61952		
71½	40898	89	63368		

*The Tables of small Pearl.*

<i>The Number of Pearl in an Oz Troy</i>	<i>Their Weight</i>	<i>Their Value p. Piece at 2 p. Carat</i>	<i>Their Value p. Ounce at that Rate</i>
<i>N<sup>o</sup></i>	<i>Gr</i>	<i>s d</i>	<i>£ s d</i>
150	1	2:0	15:0:0
160	$\frac{15}{16}$	1:9 $\frac{3}{32}$	14:1:3
171	$\frac{7}{8}$	1:6 $\frac{3}{8}$	13:1:10 $\frac{1}{8}$
184	$\frac{13}{16}$	1:3 $\frac{27}{32}$	12:2:11 $\frac{1}{4}$
200	$\frac{3}{4}$	1:1 $\frac{1}{2}$	11:5:0
218	$\frac{11}{16}$	11 $\frac{11}{32}$	10:6:0 $\frac{15}{16}$
240	$\frac{5}{8}$	9 $\frac{3}{8}$	9:7:6
266	$\frac{9}{16}$	7 $\frac{19}{32}$	8:8:3 $\frac{15}{16}$
300	$\frac{1}{2}$	6	7:10:0
342	$\frac{7}{16}$	4 $\frac{19}{32}$	6:10:11 $\frac{1}{16}$
400	$\frac{3}{8}$	3 $\frac{3}{8}$	5:12:6
480	$\frac{5}{16}$	2 $\frac{11}{32}$	4:13:9
600	$\frac{1}{4}$	1 $\frac{1}{2}$	3:15:0
800	$\frac{3}{16}$	$\frac{27}{32}$	2:16:3
1200	$\frac{1}{8}$	$\frac{3}{8}$	1:17:6
2400	$\frac{1}{16}$	$\frac{3}{32}$	18:9
4800	$\frac{1}{32}$	$\frac{3}{128}$	9:4 $\frac{1}{2}$



*Small Pearl continued*

<i>The Number of Pearl in an Oz Troy</i>	<i>Their Weight</i>	<i>Their Value P. Piece at 4 P. Carrat</i>	<i>Their Value P. Ounce at that Rate</i>
<i>N<sup>o</sup></i>	<i>Gr</i>	<i>s d</i>	<i>£ s d</i>
150	1	4:0	30:0:0
160	$\frac{15}{16}$	3:6 $\frac{3}{16}$	28:2:6
171	$\frac{7}{8}$	3:0 $\frac{3}{4}$	26:3:8 $\frac{1}{4}$
184	$\frac{13}{16}$	2:7 $\frac{11}{16}$	24:5:10 $\frac{1}{2}$
200	$\frac{3}{4}$	2:3	22:10:0
218	$\frac{11}{16}$	1:10 $\frac{11}{16}$	20:12:1 $\frac{7}{8}$
240	$\frac{5}{8}$	1:6 $\frac{3}{4}$	18:15:0
266	$\frac{9}{16}$	1:3 $\frac{3}{16}$	16:16:7 $\frac{7}{8}$
300	$\frac{1}{2}$	1:0	15:0:0
342	$\frac{7}{16}$	9 $\frac{3}{16}$	13:1:10 $\frac{1}{8}$
400	$\frac{3}{8}$	6 $\frac{3}{4}$	11:5:0
480	$\frac{5}{16}$	4 $\frac{11}{16}$	9:7:6
600	$\frac{1}{4}$	3	7:10:0
800	$\frac{3}{16}$	1 $\frac{11}{16}$	5:12:6
1200	$\frac{1}{8}$	$\frac{3}{4}$	3:15:0
2400	$\frac{1}{16}$	$\frac{3}{16}$	1:17:6
4800	$\frac{1}{32}$	$\frac{3}{64}$	18:9

*Small Pearl continued*

<i>The Number of Pearl in an Oz Troy</i>	<i>Their Weight</i>	<i>Their Value p. Piece at 6 p. Carat</i>	<i>Their Value p. Ounce at that Rate</i>
<i>N<sup>o</sup></i>	<i>G<sup>r</sup></i>	<i>s d</i>	<i>£ s d</i>
150	1	6:0	45:0:0
160	$\frac{15}{16}$	5:3 $\frac{9}{32}$	42:3:9
171	$\frac{7}{8}$	4:7 $\frac{1}{8}$	39:5:6 $\frac{3}{8}$
184	$\frac{13}{16}$	3:11 $\frac{17}{32}$	36:8:9 $\frac{3}{4}$
200	$\frac{3}{4}$	3:4 $\frac{1}{2}$	33:15:0
218	$\frac{11}{16}$	2:10 $\frac{1}{32}$	30:18:2 $\frac{13}{16}$
240	$\frac{5}{8}$	2:4 $\frac{1}{8}$	28:2:6
266	$\frac{9}{16}$	1:10 $\frac{25}{32}$	25:4:11 $\frac{13}{16}$
300	$\frac{1}{2}$	1:6	22:10:0
342	$\frac{7}{16}$	1:1 $\frac{25}{32}$	19:12:9 $\frac{3}{16}$
400	$\frac{3}{8}$	10 $\frac{1}{8}$	16:17:6
480	$\frac{5}{16}$	7 $\frac{1}{32}$	14:1:3
600	$\frac{1}{4}$	4 $\frac{1}{2}$	11:5:0
800	$\frac{3}{16}$	2 $\frac{17}{32}$	8:8:9
1200	$\frac{1}{8}$	1 $\frac{1}{8}$	5:12:6
2400	$\frac{1}{16}$	$\frac{9}{32}$	2:16:3
4800	$\frac{1}{32}$	$\frac{9}{128}$	1:8:1 $\frac{1}{2}$

## Small Pearl continued

<i>The Number of Pearl in an Oz Troy</i>	<i>Their Weight</i>	<i>Their Value p. Piece at 8 p. Carrat</i>	<i>Their Value p. Ounce at that Rate</i>
<i>N<sup>o</sup></i>	<i>Gr</i>	<i>s d</i>	<i>£ s d</i>
150	1	8:0	60:0:0
160	$\frac{15}{16}$	7:0 $\frac{3}{8}$	56:5:0
171	$\frac{7}{8}$	6:1 $\frac{1}{2}$	52:7:4 $\frac{1}{2}$
184	$\frac{13}{16}$	5:3 $\frac{3}{8}$	48:11:9
200	$\frac{3}{4}$	4:6	45:0:0
218	$\frac{11}{16}$	3:9 $\frac{3}{8}$	41:4:3 $\frac{3}{4}$
240	$\frac{5}{8}$	3:1 $\frac{1}{2}$	37:10:0
266	$\frac{9}{16}$	2:6 $\frac{3}{8}$	33:13:3 $\frac{3}{4}$
300	$\frac{1}{2}$	2:0	30:0:0
342	$\frac{7}{16}$	1:6 $\frac{3}{8}$	26:3:8 $\frac{1}{4}$
400	$\frac{3}{8}$	1:1 $\frac{1}{2}$	22:10:0
480	$\frac{5}{16}$	9 $\frac{3}{8}$	18:15:0
600	$\frac{1}{4}$	6	15:0:0
800	$\frac{3}{16}$	3 $\frac{3}{8}$	11:5:0
1200	$\frac{1}{8}$	1 $\frac{1}{2}$	7:10:0
2400	$\frac{1}{16}$	$\frac{3}{8}$	3:15:0
4800	$\frac{1}{32}$	$\frac{3}{32}$	1:17:6

*Small Pearl continued*

<i>The Number of Pearl in an Oz Troy</i>	<i>Their Weight</i>	<i>Their Value p. Piece at 10 p. Carrat.</i>	<i>Their Value p. Ounce at that Rate</i>
<i>N.<sup>o</sup></i>	<i>G.<sup>r</sup></i>	<i>s d</i>	<i>£ s d</i>
150	1	10:0	75:0:0
160	$\frac{15}{16}$	8:9 $\frac{15}{32}$	70:6:3
171	$\frac{7}{8}$	7:7 $\frac{7}{8}$	65:9:2 $\frac{5}{8}$
184	$\frac{13}{16}$	6:7 $\frac{7}{32}$	60:14:8 $\frac{1}{4}$
200	$\frac{3}{4}$	5:7 $\frac{1}{2}$	56:5:0
218	$\frac{11}{16}$	4:8 $\frac{23}{32}$	51:10:4 $\frac{11}{16}$
240	$\frac{5}{8}$	3:10 $\frac{7}{8}$	46:17:6
266	$\frac{9}{16}$	3:1 $\frac{31}{32}$	42:1:7 $\frac{11}{16}$
300	$\frac{1}{2}$	2:6	37:10:0
342	$\frac{7}{16}$	1:10 $\frac{31}{32}$	32:14:7 $\frac{5}{16}$
400	$\frac{3}{8}$	1:4 $\frac{7}{8}$	28:2:6
480	$\frac{5}{16}$	11 $\frac{23}{32}$	23:8:9
600	$\frac{1}{4}$	7 $\frac{1}{2}$	18:15:0
800	$\frac{3}{16}$	4 $\frac{7}{32}$	14:1:3
1200	$\frac{1}{8}$	1 $\frac{7}{8}$	9:7:6
2400	$\frac{1}{16}$	$\frac{15}{32}$	4:13:9
4800	$\frac{1}{32}$	$\frac{15}{128}$	2:6:10 $\frac{1}{2}$

*Small Pearl continued*

<i>The Number of Pearl in an Oz. Troy</i>	<i>Their Weight</i>	<i>Their Value p. Piece at 12 p. Carrat</i>	<i>Their Value p. Ounce at that Rate</i>
<i>N<sup>o</sup></i>	<i>G<sup>r</sup></i>	<i>s d</i>	<i>£ s d</i>
150	1	12:0	90:0:0
160	$\frac{15}{16}$	10:6 $\frac{9}{16}$	84:7:6
171	$\frac{7}{8}$	9:2 $\frac{1}{4}$	78:11:0 $\frac{3}{4}$
184	$\frac{13}{16}$	7:11 $\frac{1}{16}$	72:17:7 $\frac{1}{2}$
200	$\frac{3}{4}$	6:9	67:10:0
218	$\frac{11}{16}$	5:8 $\frac{1}{16}$	61:16:5 $\frac{5}{8}$
240	$\frac{5}{8}$	4:8 $\frac{1}{4}$	56:5:0
266	$\frac{9}{16}$	3:9 $\frac{9}{16}$	50:9:11 $\frac{5}{8}$
300	$\frac{1}{2}$	3:0	45:0:0
342	$\frac{7}{16}$	2:3 $\frac{9}{16}$	39:5:6 $\frac{3}{8}$
400	$\frac{3}{8}$	1:8 $\frac{1}{4}$	33:15:0
480	$\frac{5}{16}$	1:2 $\frac{1}{16}$	28:2:6
600	$\frac{1}{4}$	9	22:10:0
800	$\frac{3}{16}$	5 $\frac{1}{16}$	16:17:6
1200	$\frac{1}{8}$	2 $\frac{1}{4}$	11:5:0
2400	$\frac{1}{16}$	$\frac{9}{16}$	5:12:6
4800	$\frac{1}{32}$	$\frac{9}{64}$	2:16:3

*Small Pearl continued*

<i>The Number of Pearl in an Oz. Troy</i>	<i>Their Weight</i>	<i>Their Value p. Piece at 14 p. Carrat</i>	<i>Their Value p. Ounce at that Rate</i>
<i>N<sup>o</sup></i>	<i>G.<sup>r</sup></i>	<i>s d</i>	<i>£ s d</i>
150	1	14:0	105:0:0
160	$\frac{15}{16}$	12:3 $\frac{21}{32}$	98:8:9
171	$\frac{7}{8}$	10:8 $\frac{5}{8}$	91:12:10 $\frac{7}{8}$
184	$\frac{13}{16}$	9:2 $\frac{29}{32}$	85:0:6 $\frac{3}{4}$
200	$\frac{3}{4}$	7:10 $\frac{1}{2}$	78:15:0
218	$\frac{11}{16}$	6:7 $\frac{13}{32}$	72:2:6 $\frac{9}{16}$
240	$\frac{5}{8}$	5:5 $\frac{5}{8}$	65:12:6
266	$\frac{9}{16}$	4:5 $\frac{5}{32}$	58:18:3 $\frac{9}{16}$
300	$\frac{1}{2}$	3:6	52:10:0
342	$\frac{7}{16}$	2:8 $\frac{5}{32}$	45:16:5 $\frac{1}{16}$
400	$\frac{3}{8}$	1:11 $\frac{5}{8}$	39:7:6
480	$\frac{5}{16}$	1:4 $\frac{13}{32}$	32:16:3
600	$\frac{1}{4}$	10 $\frac{1}{2}$	26:5:0
800	$\frac{3}{16}$	5 $\frac{29}{32}$	19:13:9
1200	$\frac{1}{8}$	2 $\frac{5}{8}$	13:2:6
2400	$\frac{1}{16}$	$\frac{21}{32}$	6:11:3
4800	$\frac{1}{32}$	$\frac{21}{128}$	3:5:7 $\frac{1}{2}$



*Small Pearl continued*

<i>The Number of Pearl in an Oz. Troy</i>	<i>Their Weight</i>	<i>Their Value p. Piece at 16 p. Carrat</i>	<i>Their Value p. Ounce at that Rate</i>
<i>N<sup>o</sup></i>	<i>Gr.</i>	<i>s d</i>	<i>£ s d</i>
150	1	16:0	120:0:0
160	$\frac{15}{16}$	14:0 $\frac{3}{4}$	112:10:0
171	$\frac{7}{8}$	12:3	104:14:9
184	$\frac{13}{16}$	10:6 $\frac{3}{4}$	97:3:6
200	$\frac{3}{4}$	9:0	90:0:0
218	$\frac{11}{16}$	7:6 $\frac{3}{4}$	82:8:7 $\frac{1}{2}$
240	$\frac{5}{8}$	6:3	75:0:0
266	$\frac{9}{16}$	5:0 $\frac{3}{4}$	67:6:7 $\frac{1}{2}$
300	$\frac{1}{2}$	4:0	60:0:0
342	$\frac{7}{16}$	3:0 $\frac{3}{4}$	52:7:4 $\frac{1}{2}$
400	$\frac{3}{8}$	2:3	45:0:0
480	$\frac{5}{16}$	1:6 $\frac{3}{4}$	37:10:0
600	$\frac{1}{4}$	1:0	30:0:0
800	$\frac{3}{16}$	6 $\frac{3}{4}$	22:10:0
1200	$\frac{1}{8}$	3	15:0:0
2400	$\frac{1}{16}$	$\frac{3}{4}$	7:10:0
4800	$\frac{1}{32}$	$\frac{3}{16}$	3:15:0

*The Tables of large Pearl.*

<i>W<sup>t</sup></i>	<i>Price</i>	<i>W<sup>t</sup></i>	<i>Price</i>	<i>W<sup>t</sup></i>	<i>Price</i>
<i>Cr</i>	<i>£ s d</i>	<i>Cr</i>	<i>£ s d</i>	<i>Cr</i>	<i>£ s d</i>
1	8:0	3 <sup>5</sup> / <sub>8</sub>	5:5:1 <sup>1</sup> / <sub>2</sub>	6 <sup>1</sup> / <sub>4</sub>	15:12:6
1 <sup>1</sup> / <sub>8</sub>	10:1 <sup>1</sup> / <sub>2</sub>	3 <sup>3</sup> / <sub>4</sub>	5:12:6	6 <sup>3</sup> / <sub>8</sub>	16:5:1 <sup>1</sup> / <sub>2</sub>
1 <sup>1</sup> / <sub>4</sub>	12:6	3 <sup>7</sup> / <sub>8</sub>	6:0:1 <sup>1</sup> / <sub>2</sub>	6 <sup>1</sup> / <sub>2</sub>	16:18:0
1 <sup>3</sup> / <sub>8</sub>	15:1 <sup>1</sup> / <sub>2</sub>	4	6:8:0	6 <sup>5</sup> / <sub>8</sub>	17:11:1 <sup>1</sup> / <sub>2</sub>
1 <sup>1</sup> / <sub>2</sub>	18:0	4 <sup>1</sup> / <sub>8</sub>	6:16:1 <sup>1</sup> / <sub>2</sub>	6 <sup>3</sup> / <sub>4</sub>	18:4:6
1 <sup>5</sup> / <sub>8</sub>	1:1:1 <sup>1</sup> / <sub>2</sub>	4 <sup>1</sup> / <sub>4</sub>	7:4:6	6 <sup>7</sup> / <sub>8</sub>	18:18:1 <sup>1</sup> / <sub>2</sub>
1 <sup>3</sup> / <sub>4</sub>	1:4:6	4 <sup>3</sup> / <sub>8</sub>	7:13:1 <sup>1</sup> / <sub>2</sub>	7	19:12:0
1 <sup>7</sup> / <sub>8</sub>	1:8:1 <sup>1</sup> / <sub>2</sub>	4 <sup>1</sup> / <sub>2</sub>	8:2:0	7 <sup>1</sup> / <sub>8</sub>	20:6:1 <sup>1</sup> / <sub>2</sub>
2	1:12:0	4 <sup>5</sup> / <sub>8</sub>	8:11:1 <sup>1</sup> / <sub>2</sub>	7 <sup>1</sup> / <sub>4</sub>	21:0:6
2 <sup>1</sup> / <sub>8</sub>	1:16:1 <sup>1</sup> / <sub>2</sub>	4 <sup>3</sup> / <sub>4</sub>	9:0:6	7 <sup>3</sup> / <sub>8</sub>	21:15:1 <sup>1</sup> / <sub>2</sub>
2 <sup>1</sup> / <sub>4</sub>	2:0:6	4 <sup>7</sup> / <sub>8</sub>	9:10:1 <sup>1</sup> / <sub>2</sub>	7 <sup>1</sup> / <sub>2</sub>	22:10:0
2 <sup>3</sup> / <sub>8</sub>	2:5:1 <sup>1</sup> / <sub>2</sub>	5	10:0:0	7 <sup>5</sup> / <sub>8</sub>	23:5:1 <sup>1</sup> / <sub>2</sub>
2 <sup>1</sup> / <sub>2</sub>	2:10:0	5 <sup>1</sup> / <sub>8</sub>	10:10:1 <sup>1</sup> / <sub>2</sub>	7 <sup>3</sup> / <sub>4</sub>	24:0:6
2 <sup>5</sup> / <sub>8</sub>	2:15:1 <sup>1</sup> / <sub>2</sub>	5 <sup>1</sup> / <sub>4</sub>	11:0:6	7 <sup>7</sup> / <sub>8</sub>	24:16:1 <sup>1</sup> / <sub>2</sub>
2 <sup>3</sup> / <sub>4</sub>	3:0:6	5 <sup>3</sup> / <sub>8</sub>	11:11:1 <sup>1</sup> / <sub>2</sub>	8	25:12:0
2 <sup>7</sup> / <sub>8</sub>	3:6:1 <sup>1</sup> / <sub>2</sub>	5 <sup>1</sup> / <sub>2</sub>	12:2:0	8 <sup>1</sup> / <sub>8</sub>	26:8:1 <sup>1</sup> / <sub>2</sub>
3	3:12:0	5 <sup>5</sup> / <sub>8</sub>	12:13:1 <sup>1</sup> / <sub>2</sub>	8 <sup>1</sup> / <sub>4</sub>	27:4:6
3 <sup>1</sup> / <sub>8</sub>	3:18:1 <sup>1</sup> / <sub>2</sub>	5 <sup>3</sup> / <sub>4</sub>	13:4:6	8 <sup>3</sup> / <sub>8</sub>	28:1:1 <sup>1</sup> / <sub>2</sub>
3 <sup>1</sup> / <sub>4</sub>	4:4:6	5 <sup>7</sup> / <sub>8</sub>	13:16:1 <sup>1</sup> / <sub>2</sub>	8 <sup>1</sup> / <sub>2</sub>	28:18:0
3 <sup>3</sup> / <sub>8</sub>	4:11:1 <sup>1</sup> / <sub>2</sub>	6	14:8:0	8 <sup>5</sup> / <sub>8</sub>	29:15:1 <sup>1</sup> / <sub>2</sub>
3 <sup>1</sup> / <sub>2</sub>	4:18:0	6 <sup>1</sup> / <sub>8</sub>	15:0:1 <sup>1</sup> / <sub>2</sub>	8 <sup>3</sup> / <sub>4</sub>	30:12:6

*Large Pearl continued.*

<i>W<sup>t</sup></i>	<i>Price</i>	<i>W<sup>t</sup></i>	<i>Price</i>	<i>W<sup>t</sup></i>	<i>Price</i>
<i>C<sup>r</sup></i>	<i>£ s d</i>	<i>C<sup>r</sup></i>	<i>£ s d</i>	<i>C<sup>r</sup></i>	<i>£ s d</i>
$8\frac{7}{8}$	31:10:1 $\frac{1}{2}$	$11\frac{1}{2}$	52:18:0	$14\frac{3}{8}$	79:16:1 $\frac{1}{2}$
9	32:8:0	$11\frac{5}{8}$	54:1:1 $\frac{1}{2}$	$14\frac{1}{4}$	81:4:6
$9\frac{1}{8}$	33:6:1 $\frac{1}{2}$	$11\frac{3}{4}$	55:4:6	$14\frac{3}{8}$	82:13:1 $\frac{1}{2}$
$9\frac{1}{4}$	34:4:6	$11\frac{7}{8}$	56:8:1 $\frac{1}{2}$	$14\frac{1}{2}$	84:2:0
$9\frac{3}{8}$	35:3:1 $\frac{1}{2}$	12	57:12:0	$14\frac{5}{8}$	85:11:1 $\frac{1}{2}$
$9\frac{1}{2}$	36:2:0	$12\frac{1}{8}$	58:16:1 $\frac{1}{2}$	$14\frac{3}{4}$	87:0:6
$9\frac{5}{8}$	37:1:1 $\frac{1}{2}$	$12\frac{1}{4}$	60:0:6	$14\frac{7}{8}$	88:10:1 $\frac{1}{2}$
$9\frac{3}{4}$	38:0:6	$12\frac{3}{8}$	61:5:1 $\frac{1}{2}$	15	90:0:0
$9\frac{7}{8}$	39:0:1 $\frac{1}{2}$	$12\frac{1}{2}$	62:10:0	$15\frac{1}{8}$	91:10:1 $\frac{1}{2}$
10	40:0:0	$12\frac{5}{8}$	63:15:1 $\frac{1}{2}$	$15\frac{1}{4}$	93:0:6
$10\frac{1}{8}$	41:0:1 $\frac{1}{2}$	$12\frac{3}{4}$	65:0:6	$15\frac{3}{8}$	94:11:1 $\frac{1}{2}$
$10\frac{1}{4}$	42:0:6	$12\frac{7}{8}$	66:6:1 $\frac{1}{2}$	$15\frac{1}{2}$	96:2:0
$10\frac{3}{8}$	43:1:1 $\frac{1}{2}$	13	67:12:0	$15\frac{5}{8}$	97:13:1 $\frac{1}{2}$
$10\frac{1}{2}$	44:2:0	$13\frac{1}{8}$	68:18:1 $\frac{1}{2}$	$15\frac{3}{4}$	99:4:6
$10\frac{5}{8}$	45:3:1 $\frac{1}{2}$	$13\frac{1}{4}$	70:4:6	$15\frac{7}{8}$	100:16:1 $\frac{1}{2}$
$10\frac{3}{4}$	46:4:6	$13\frac{3}{8}$	71:11:1 $\frac{1}{2}$	16	102:8:0
$10\frac{7}{8}$	47:6:1 $\frac{1}{2}$	$13\frac{1}{2}$	72:18:0	$16\frac{1}{8}$	104:0:1 $\frac{1}{2}$
11	48:8:0	$13\frac{5}{8}$	74:5:1 $\frac{1}{2}$	$16\frac{1}{4}$	105:12:6
$11\frac{1}{8}$	49:10:1 $\frac{1}{2}$	$13\frac{3}{4}$	75:12:6	$16\frac{3}{8}$	107:5:1 $\frac{1}{2}$
$11\frac{1}{4}$	50:12:6	$13\frac{7}{8}$	77:0:1 $\frac{1}{2}$	$16\frac{1}{2}$	108:18:0
$11\frac{3}{8}$	51:15:1 $\frac{1}{2}$	14	78:8:0	$16\frac{5}{8}$	110:11:1 $\frac{1}{2}$

*Large Pearl continued.*

<i>Wt.</i>	<i>Price</i>	<i>Wt.</i>	<i>Price</i>	<i>Wt.</i>	<i>Price</i>
<i>C<sup>r</sup></i>	<i>£. s. d.</i>	<i>C<sup>r</sup></i>	<i>£. s. d.</i>	<i>C<sup>r</sup></i>	<i>£. s. d.</i>
16 $\frac{3}{4}$	112:4:6	19 $\frac{3}{8}$	150:3:1 $\frac{1}{2}$	22	193:12:0
16 $\frac{7}{8}$	113:18:1 $\frac{1}{2}$	19 $\frac{1}{2}$	152:2:0	22 $\frac{1}{8}$	195:16:1 $\frac{1}{2}$
17	115:12:0	19 $\frac{5}{8}$	154:1:1 $\frac{1}{2}$	22 $\frac{1}{4}$	198:0:6
17 $\frac{1}{8}$	117:6:1 $\frac{1}{2}$	19 $\frac{3}{4}$	156:0:6	22 $\frac{3}{8}$	200:5:1 $\frac{1}{2}$
17 $\frac{1}{4}$	119:0:6	19 $\frac{7}{8}$	158:0:1 $\frac{1}{2}$	22 $\frac{1}{2}$	202:10:0
17 $\frac{3}{8}$	120:15:1 $\frac{1}{2}$	20	160:0:0	22 $\frac{5}{8}$	204:15:1 $\frac{1}{2}$
17 $\frac{1}{2}$	122:10:0	20 $\frac{1}{8}$	162:0:1 $\frac{1}{2}$	22 $\frac{3}{4}$	207:0:6
17 $\frac{5}{8}$	124:5:1 $\frac{1}{2}$	20 $\frac{1}{4}$	164:0:6	22 $\frac{7}{8}$	209:6:1 $\frac{1}{2}$
17 $\frac{3}{4}$	126:0:6	20 $\frac{3}{8}$	166:1:1 $\frac{1}{2}$	23	211:12:0
17 $\frac{7}{8}$	127:16:1 $\frac{1}{2}$	20 $\frac{1}{2}$	168:2:0	23 $\frac{1}{8}$	213:18:1 $\frac{1}{2}$
18	129:12:0	20 $\frac{5}{8}$	170:3:1 $\frac{1}{2}$	23 $\frac{1}{4}$	216:4:6
18 $\frac{1}{8}$	131:8:1 $\frac{1}{2}$	20 $\frac{3}{4}$	172:4:6	23 $\frac{3}{8}$	218:11:1 $\frac{1}{2}$
18 $\frac{1}{4}$	133:4:6	20 $\frac{7}{8}$	174:6:1 $\frac{1}{2}$	23 $\frac{1}{2}$	220:18:0
18 $\frac{3}{8}$	135:1:1 $\frac{1}{2}$	21	176:8:0	23 $\frac{5}{8}$	223:5:1 $\frac{1}{2}$
18 $\frac{1}{2}$	136:18:0	21 $\frac{1}{8}$	178:10:1 $\frac{1}{2}$	23 $\frac{3}{4}$	225:12:6
18 $\frac{5}{8}$	138:15:1 $\frac{1}{2}$	21 $\frac{1}{4}$	180:12:6	23 $\frac{7}{8}$	228:0:1 $\frac{1}{2}$
18 $\frac{3}{4}$	140:12:6	21 $\frac{3}{8}$	182:15:1 $\frac{1}{2}$	24	230:8:0
18 $\frac{7}{8}$	142:10:1 $\frac{1}{2}$	21 $\frac{1}{2}$	184:18:0	24 $\frac{1}{8}$	232:16:1 $\frac{1}{2}$
19	144:8:0	21 $\frac{5}{8}$	187:1:1 $\frac{1}{2}$	24 $\frac{1}{4}$	235:4:6
19 $\frac{1}{8}$	146:6:1 $\frac{1}{2}$	21 $\frac{3}{4}$	189:4:6	24 $\frac{3}{8}$	237:13:1 $\frac{1}{2}$
19 $\frac{1}{4}$	148:4:6	21 $\frac{7}{8}$	191:8:1 $\frac{1}{2}$	24 $\frac{1}{2}$	240:2:0

*Large Pearl continued.*

<i>W<sup>t</sup></i>	<i>Price</i>	<i>W<sup>t</sup></i>	<i>Price</i>	<i>W<sup>t</sup></i>	<i>Price</i>
<i>C<sup>r</sup></i>	<i>£. s. d.</i>	<i>C<sup>r</sup></i>	<i>£. s. d.</i>	<i>C<sup>r</sup></i>	<i>£. s. d.</i>
24 <sup>3</sup> / <sub>8</sub>	242:11:1 <sup>1</sup> / <sub>2</sub>	29 <sup>1</sup> / <sub>2</sub>	348: 2: 0	34 <sup>3</sup> / <sub>4</sub>	483:0:6
24 <sup>3</sup> / <sub>4</sub>	245:0:6	29 <sup>3</sup> / <sub>4</sub>	354:0:6	35	490:0:0
24 <sup>7</sup> / <sub>8</sub>	247:10:1 <sup>1</sup> / <sub>2</sub>	30	360:0:0	35 <sup>1</sup> / <sub>4</sub>	497:0:6
25	250:0:0	30 <sup>1</sup> / <sub>4</sub>	366:0:6	35 <sup>1</sup> / <sub>2</sub>	504:2:0
25 <sup>1</sup> / <sub>4</sub>	255:0:6	30 <sup>1</sup> / <sub>2</sub>	372:2:0	35 <sup>3</sup> / <sub>4</sub>	511:4:6
25 <sup>1</sup> / <sub>2</sub>	260:2:0	30 <sup>3</sup> / <sub>4</sub>	378:4:6	36	518:8:0
25 <sup>3</sup> / <sub>4</sub>	265:4:6	31	384:8:0	36 <sup>1</sup> / <sub>4</sub>	525:2:6
26	270:8:0	31 <sup>1</sup> / <sub>4</sub>	390:12:6	36 <sup>1</sup> / <sub>2</sub>	532:18:0
26 <sup>1</sup> / <sub>4</sub>	275:12:6	31 <sup>1</sup> / <sub>2</sub>	396:18:0	36 <sup>3</sup> / <sub>4</sub>	540:4:6
26 <sup>1</sup> / <sub>2</sub>	280:18:0	31 <sup>3</sup> / <sub>4</sub>	403:4:6	37	547:12:0
26 <sup>3</sup> / <sub>4</sub>	286:4:6	32	409:12:0	37 <sup>1</sup> / <sub>4</sub>	555:0:6
27	291:12:0	32 <sup>1</sup> / <sub>4</sub>	416:0:6	37 <sup>1</sup> / <sub>2</sub>	562:10:0
27 <sup>1</sup> / <sub>4</sub>	297:0:6	32 <sup>1</sup> / <sub>2</sub>	422:10:0	37 <sup>3</sup> / <sub>4</sub>	570:0:6
27 <sup>1</sup> / <sub>2</sub>	302:10:0	32 <sup>3</sup> / <sub>4</sub>	429:0:6	38	577:12:0
27 <sup>3</sup> / <sub>4</sub>	308:0:6	33	435:12:0	38 <sup>1</sup> / <sub>4</sub>	585:4:6
28	313:12:0	33 <sup>1</sup> / <sub>4</sub>	442:4:6	38 <sup>1</sup> / <sub>2</sub>	592:18:0
28 <sup>1</sup> / <sub>4</sub>	319:4:6	33 <sup>1</sup> / <sub>2</sub>	448:18:0	38 <sup>3</sup> / <sub>4</sub>	600:12:6
28 <sup>1</sup> / <sub>2</sub>	324:18:0	33 <sup>3</sup> / <sub>4</sub>	455:12:6	39	608:8:0
28 <sup>3</sup> / <sub>4</sub>	330:12:6	34	462:8:0	39 <sup>1</sup> / <sub>4</sub>	616:4:6
29	336:8:0	34 <sup>1</sup> / <sub>4</sub>	469:4:6	39 <sup>1</sup> / <sub>2</sub>	624:2:0
29 <sup>1</sup> / <sub>4</sub>	342:4:6	34 <sup>1</sup> / <sub>2</sub>	476:2:0	39 <sup>3</sup> / <sub>4</sub>	632:0:6

## Large Pearl continued

W <sup>t</sup>	Price	W <sup>t</sup>	Price	W <sup>t</sup>	Price
C <sup>r</sup>	£ s d	C <sup>r</sup>	£ s d	C <sup>r</sup>	£ s
40	640:0:0	45 $\frac{1}{4}$	819:0:6	51	1040:8
40 $\frac{1}{4}$	648:0:6	45 $\frac{1}{2}$	828:2:0	51 $\frac{1}{2}$	1060:18
40 $\frac{1}{2}$	656:2:0	45 $\frac{3}{4}$	837:4:6	52	1081:12
40 $\frac{3}{4}$	664:4:6	46	846:8:0	52 $\frac{1}{2}$	1102:10
41	672:8:0	46 $\frac{1}{4}$	855:12:6	53	1123:12
41 $\frac{1}{4}$	680:12:6	46 $\frac{1}{2}$	864:18:0	53 $\frac{1}{2}$	1144:18
41 $\frac{1}{2}$	688:18:0	46 $\frac{3}{4}$	874:4:6	54	1166:8
41 $\frac{3}{4}$	697:4:6	47	883:12:0	54 $\frac{1}{2}$	1188:2
42	705:12:0	47 $\frac{1}{4}$	893:0:6	55	1210:0
42 $\frac{1}{4}$	714:0:6	47 $\frac{1}{2}$	902:10:0	55 $\frac{1}{2}$	1232:2
42 $\frac{1}{2}$	722:10:0	47 $\frac{3}{4}$	912:0:6	56	1254:8
42 $\frac{3}{4}$	731:0:6	48	921:12:0	56 $\frac{1}{2}$	1276:18
43	739:12:0	48 $\frac{1}{4}$	931:4:6	57	1299:12
43 $\frac{1}{4}$	748:4:6	48 $\frac{1}{2}$	940:18:0	57 $\frac{1}{2}$	1322:10
43 $\frac{1}{2}$	756:18:0	48 $\frac{3}{4}$	950:12:6	58	1345:12
43 $\frac{3}{4}$	765:12:6	49	960:8:0	58 $\frac{1}{2}$	1368:18
44	774:8:0	49 $\frac{1}{4}$	970:4:6	59	1392:8
44 $\frac{1}{4}$	783:4:6	49 $\frac{1}{2}$	980:2:0	59 $\frac{1}{2}$	1416:2
44 $\frac{1}{2}$	792:2:0	49 $\frac{3}{4}$	990:0:6	60	1440:0
44 $\frac{3}{4}$	801:0:6	50	1000:0:0	60 $\frac{1}{2}$	1464:2
45	810:0:0	50 $\frac{1}{2}$	1020:2:0	61	1488:8



*Large Pearl continued*

<i>W<sup>t</sup></i>	<i>Price</i>	<i>W<sup>t</sup></i>	<i>Price</i>	<i>W<sup>t</sup></i>	<i>Price</i>
<i>Cr</i>	<i>£ s</i>	<i>Cr</i>	<i>£ s</i>	<i>Cr</i>	<i>£ s</i>
61½	1512:18	72	2073:12	90	3240:0
62	1537:12	72½	2102:10	91	3312:8
62½	1562:10	73	2131:12	92	3385:12
63	1587:12	73½	2160:18	93	3459:12
63½	1612:18	74	2190:8	94	3534:8
64	1638:8	74½	2220:2	95	3610:0
64½	1664:2	75	2250:0	96	3686:8
65	1690:0	76	2310:8	97	3763:12
65½	1716:2	77	2371:12	98	3841:12
66	1742:8	78	2433:12	99	3920:8
66½	1768:18	79	2496:8	100	4000:0
67	1795:12	80	2560:0		
67½	1822:10	81	2624:8		
68	1849:12	82	2689:12		
68½	1876:18	83	2755:12		
69	1904:8	84	2822:8		
69½	1932:2	85	2890:0		
70	1960:0	86	2958:8		
70½	1988:2	87	3027:12		
71	2016:8	88	3097:12		
71½	2044:18	89	3168:8		

0126

